

RCAC25DD4 Series Pulse Jet Valves



Description

High performance diaphragm valve with dresser nut ports. Equipped with 'Shockwave' springless diaphragm, the 4 series valves are available as remote pilot valves and may be converted to integral pilot using either the RCA3DM or RCA3PV screw in pilots. Outlet is at 90° to inlet.

Suitable for

Dust collector applications, in particular for reverse pulse jet filter cleaning and its variations including bag filters, cartridge filters and envelope filters.

Construction

Body and Dresser

Nuts: Aluminium (diecast)

Screws: 302 Stainless Steel

Dresser Nut Seals: Nitrile or Viton

Diaphragm: High performance engineering thermoplastic elastomer.

Operation

Recommended on time range: 50-500ms

Recommended time between pulses: 1 minute or greater

Maintenance

Diaphragm and pilot inspection should be conducted annually.

Approvals

The RCAC25DD4 meets the requirements of the European Electromagnetic Compatibility (EMC) Directive 2004/108/EC and Low Voltage Directive 2006/95/EC, when fitted with the RCA3PV pilot.

Please Note: Pipes must be to Schedule 40 outside diameter.

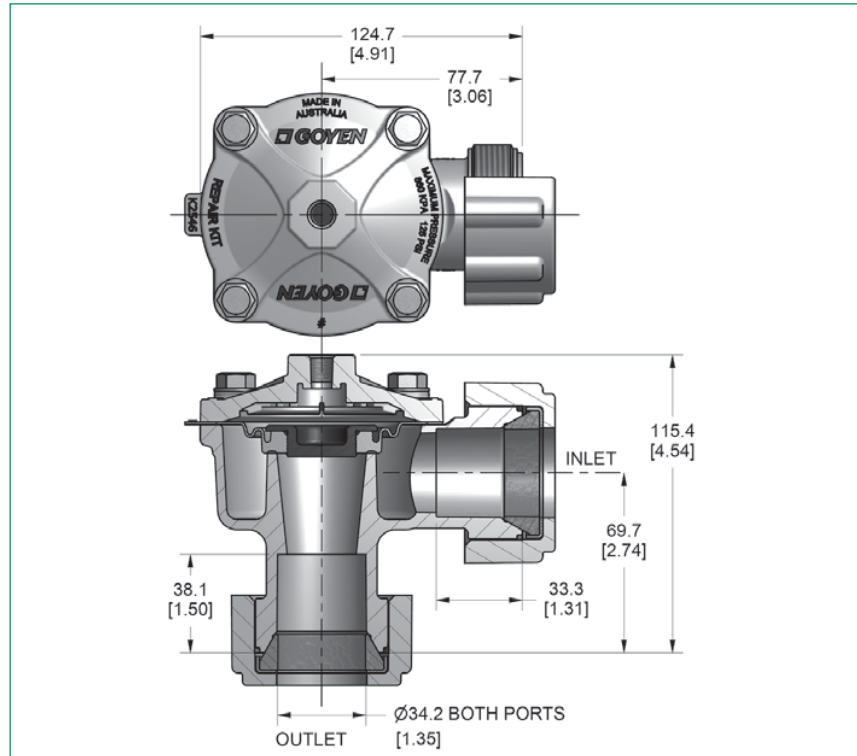
Schedule 40 Size	OD mm	OD Inches
1"	33.4	1.315

Weights

Valve	Kg (lbs)
RCAC25DD4	0.96 (2.12)

Dimensions

(Dimensions in mm and [inches])



Maintenance Kits

Model	Nitrile	Shockwave	Viton
Diaphragm Kit RCAC25DD4	NA	K2546	K2551
Dresser Seal Kit CA/RCA25DD	K2508	NA	K2507

Product Characteristics and Performance

Port Size mm (in)	No. of Diaph.	Flow Kv (Cv)	Pressure Range kPA(Psi)	Temperature Range °C (°F)	
				Shockwave	Viton Seals
25 (1)	1	22.5 (26.0)	30(5) – 860(125)	-40(-40) – 82(179.6)	-29(-20.2) – 232(449.6)

Order Code

RCAC 25DD4			
	Diaphragm material	1=Viton 2=Shockwave	
	Thread type	0=NPT, 1=RC, 2=G	
	Pilot size	0=1/8", 1=1/4"	

Examples: RCAC25DD4012

1" dresser nut valve with 1/8" pilot, 1" RC port threads, Shockwave diaphragm.

Note:
1/8 Pilot available in NPT & RC Thread
1/4 Pilot is only available in G Thread