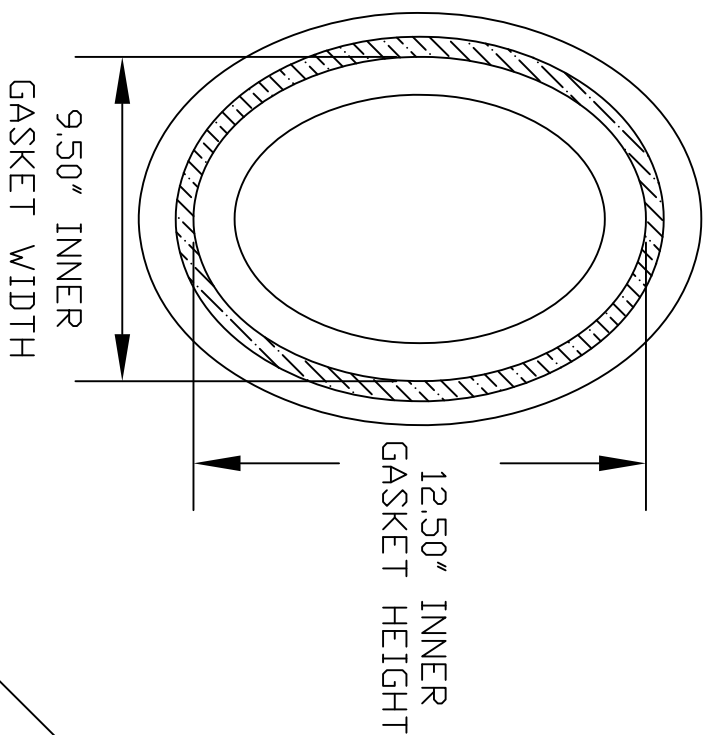
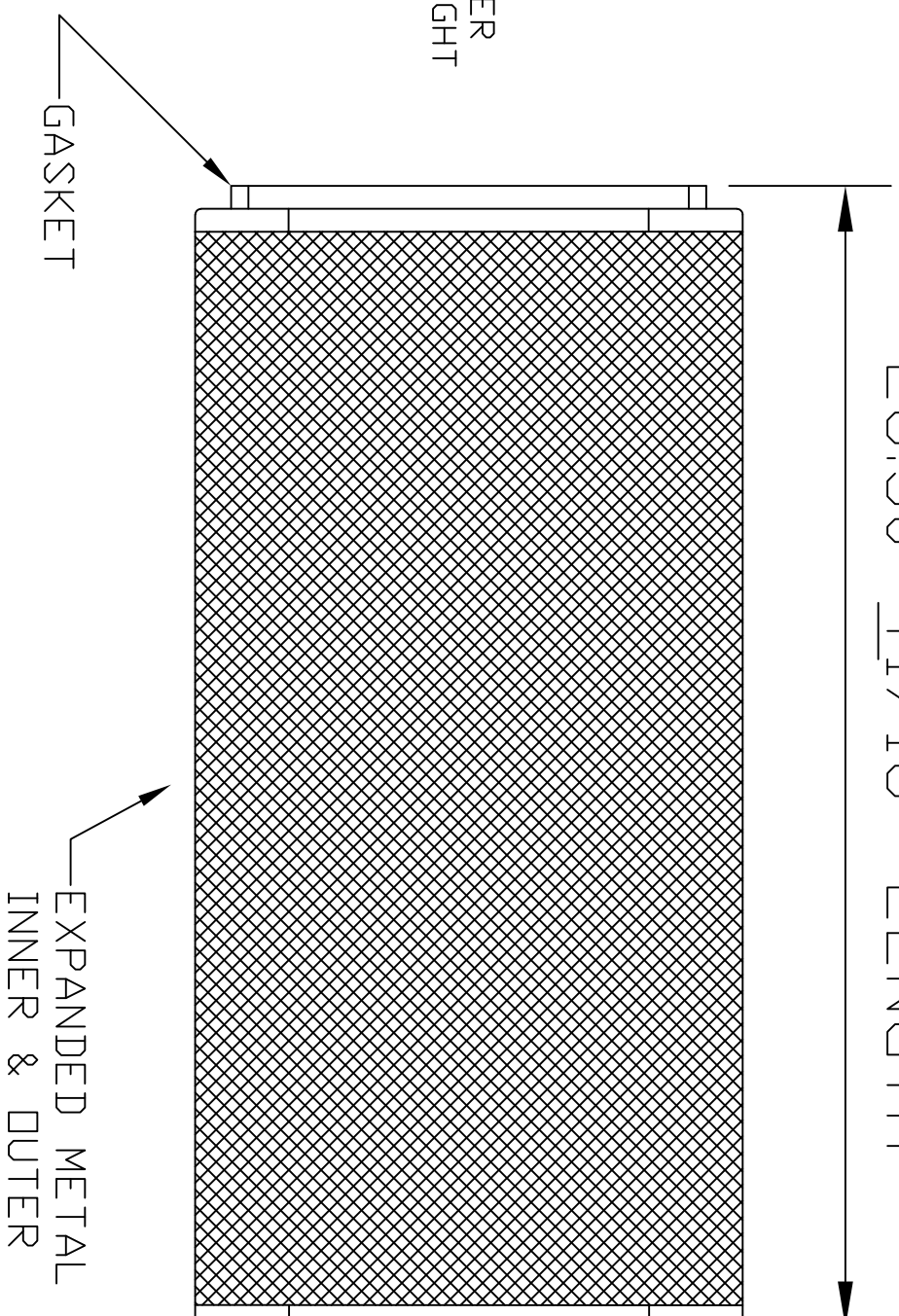


# OVAL CARTRIDGE

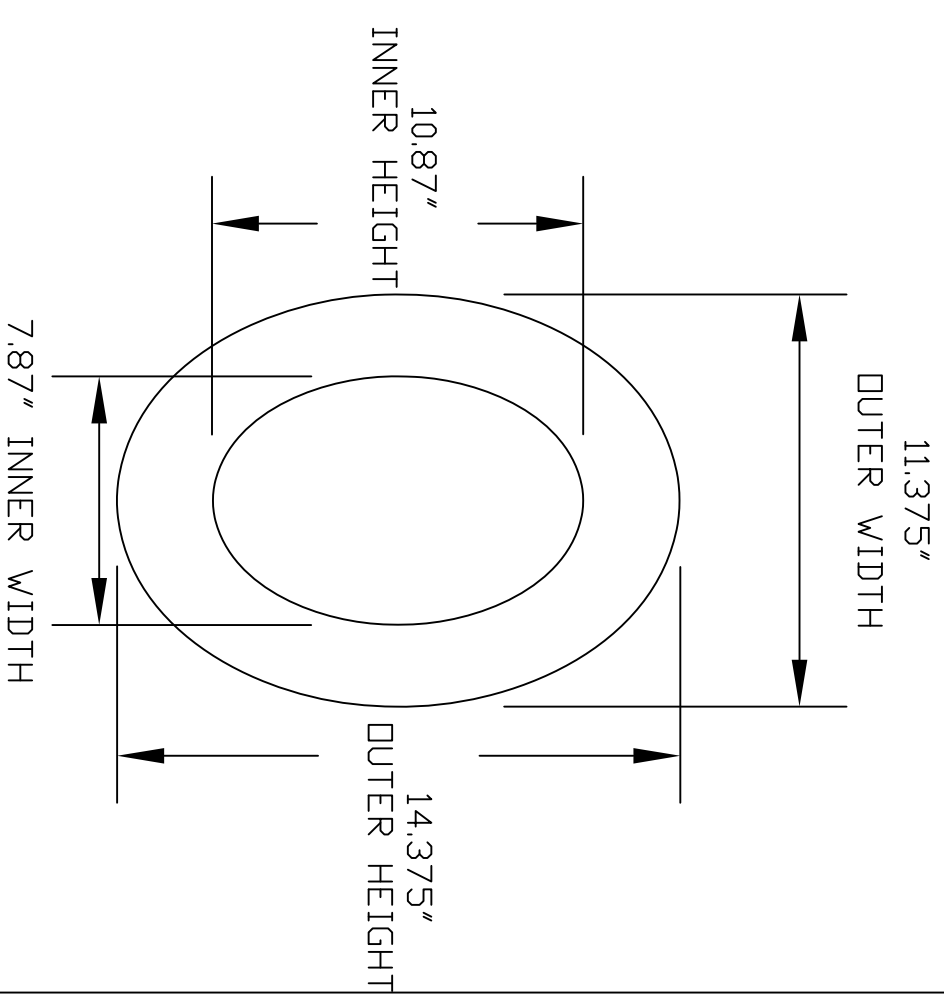
26.50  $\pm$ 1/16" LENGTH



OPEN TOP  
WITH GASKET



EXPANDED METAL  
INNER & OUTER



OPEN BOTTOM

- Notes:
1. MEDIA: FLAME RETARDANT NANOFIBER
  2. APPROX. 190 SF MEDIA
  3. OPEN TOP / OPEN BOTTOM CARTRIDGE
  4. 22 GA. GALVANIZED END CAPS
  5. INNER AND OUTER EXPANDED METAL 72% MIN. OPEN AREA
  6. 3/8" X 3/8" X 9.50" INNER WIDTH X 12.50" INNER HEIGHT

APPROVAL DRAWING
SIGNATURE: _____ DATE: _____
TITLE: _____
PLEASE RETURN ONE COPY APPROVED



PART NUMBER 130205

SCALE: N.T.S. DRAWN BY: CH

DATE: 08/09/2024 DUST COLLECTOR SPECIALIST

STANDARD OVAL CARTRIDGE, OPEN TOP WITH GASKET, OPEN BOTTOM

AIR FILTRATION CARTRIDGE DRAWING NUMBER CART DVL-1