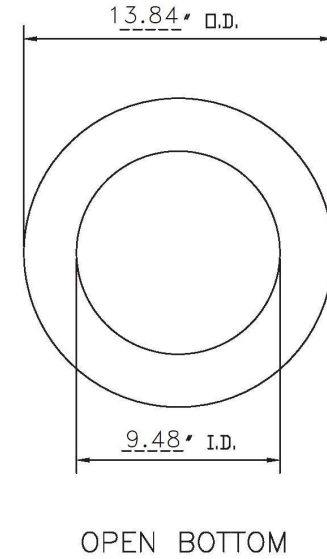
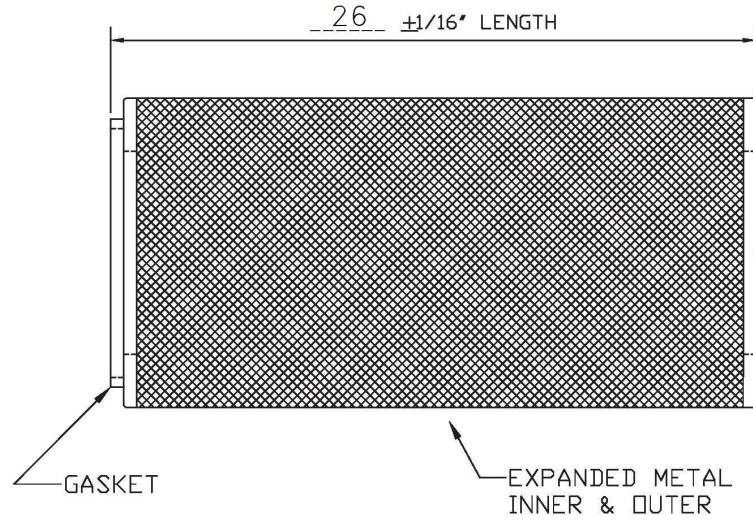
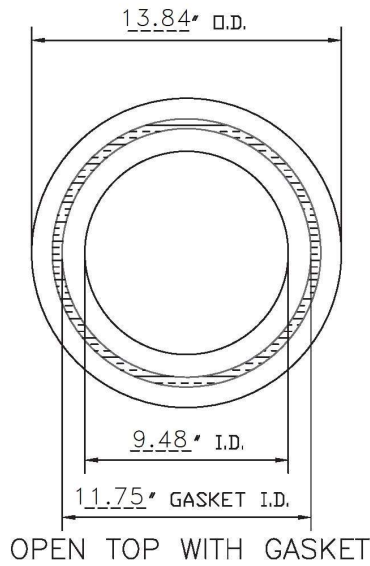


IF IN DOUBT ASK



Notes:

1. MEDIA: NANOFIBER W/ FIRE RETARDANT
2. APPROX. 254 SF MEDIA
3. OPEN TOP / OPEN BOTTOM CARTRIDGE
4. 22 GA. GALVANIZED END CAPS
5. INTERIOR AND EXTERIOR EXPANDED METAL 72% MIN. OPEN AREA
6. 1/2" X 1/2" X 11.75" I.D. GASKET

General Equipment Layout	
APPROVAL DRAWING	
SIGNATURE:	DATE:
TITLE:	
PLEASE RETURN ONE COPY APPROVED	

PART# I30105

This drawing and the design depicted therein are the property of U.S. Air Filtration Inc. of Chicago, Illinois, and are covered by patent and/or pending U.S. and foreign patents. This material is provided to you subject to the condition that it shall not be reproduced, copied, distributed to other members or manufacturers of similar articles, lent or otherwise disposed of, directly or indirectly. It shall not be used to furnish any information for the making of drawings, prints or operations, or parts therefrom, except where otherwise specifically provided for by contract with U.S. Air Filtration.			
COMPANY OFFICE 40200 Snow Drive Temecula, CA 92591 (951) 481-7282 FAX (951) 481-7281	EASTERN REGIONAL OFFICE 34000 Shelburn Road Ft. Wayne, IN 46816 (317) 481-7282 FAX (317) 455-2150	DRAWN BY DATE CHECKED BY DATE	DUST COLLECTION SPECIALIST C. BERTON U.S. AIR FILTRATION CARTRIDGE FILTER 12.75" DIA x 26" L 80/20 MEDIA U.S. AIR FILTRATION 130007