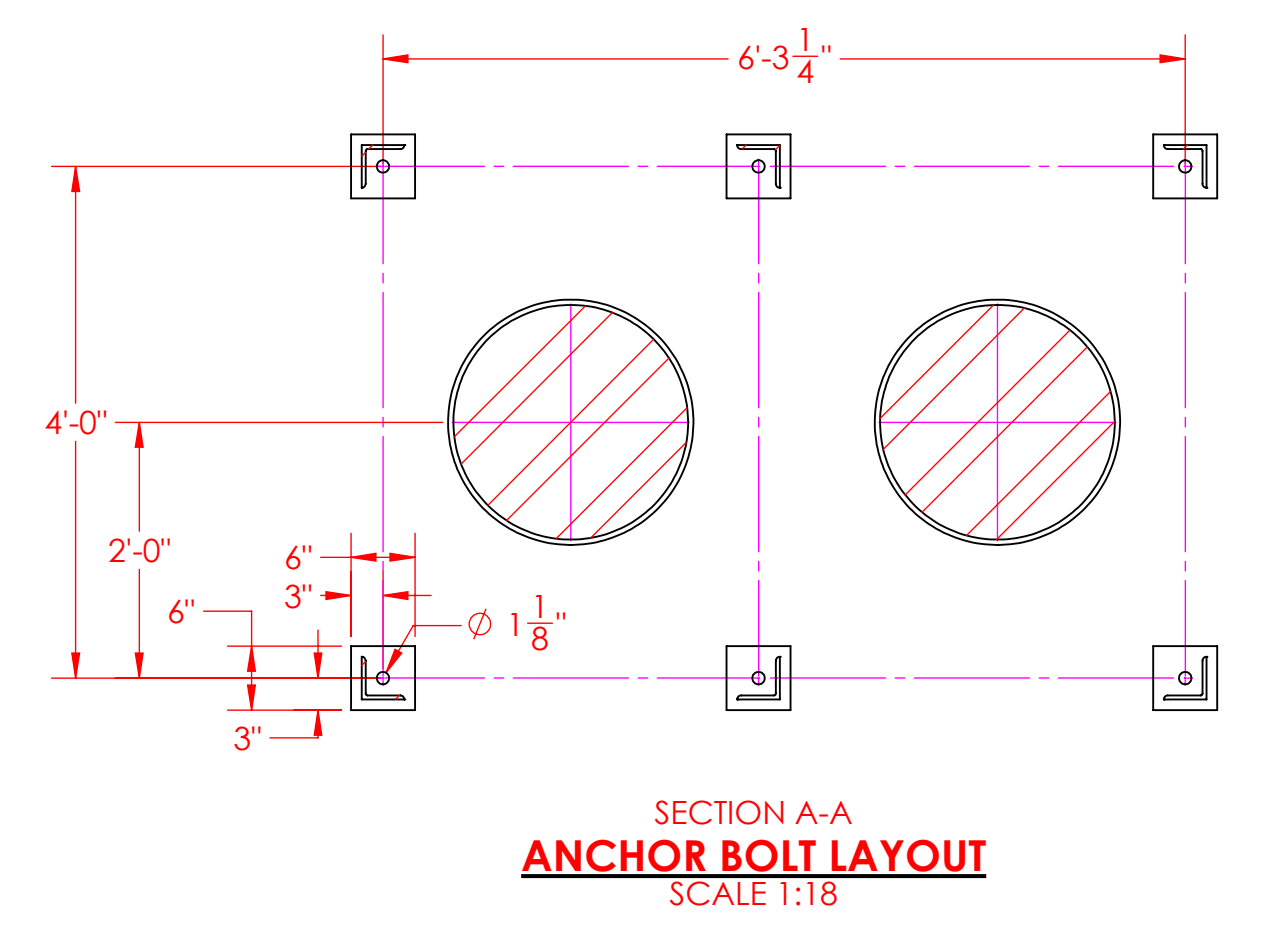
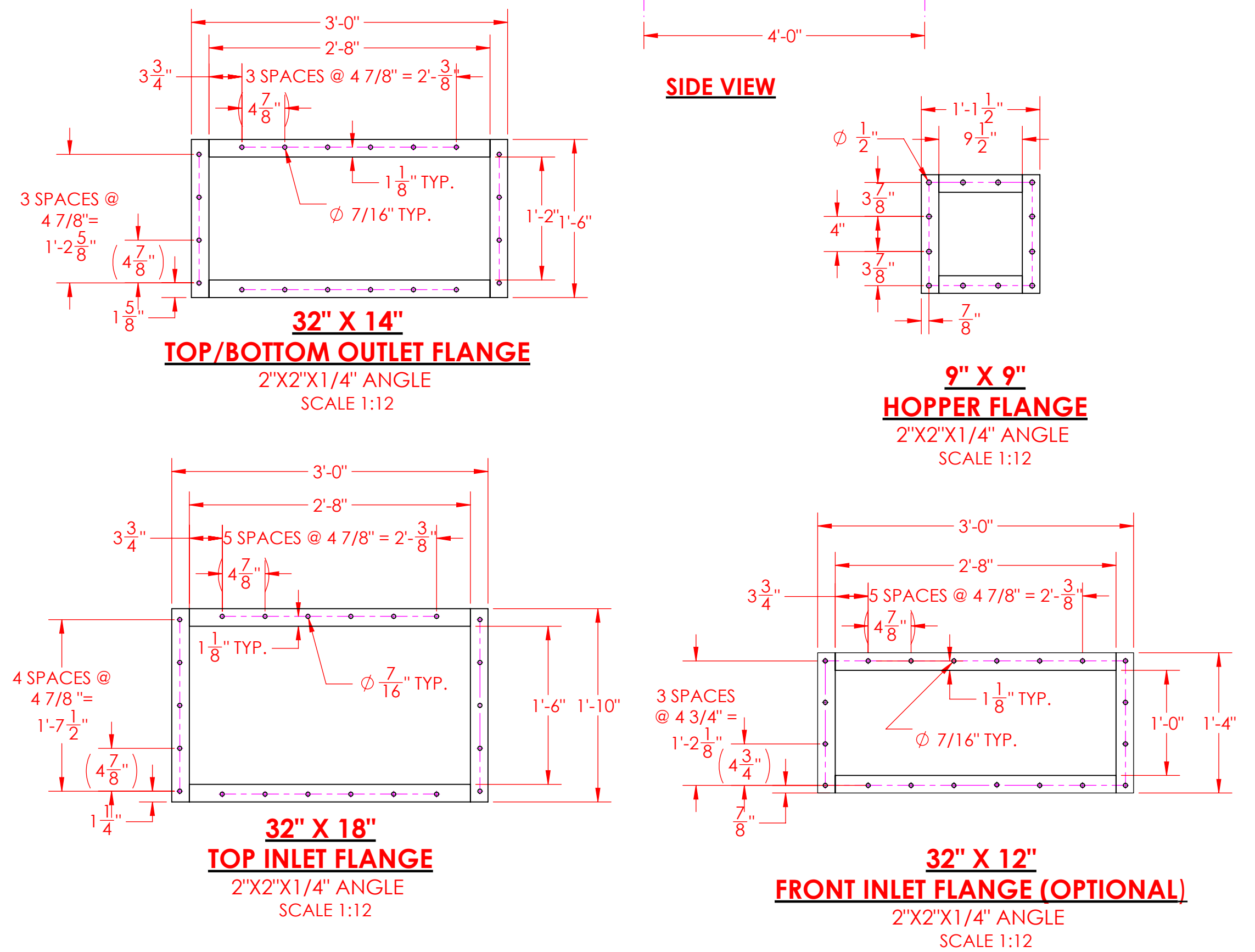
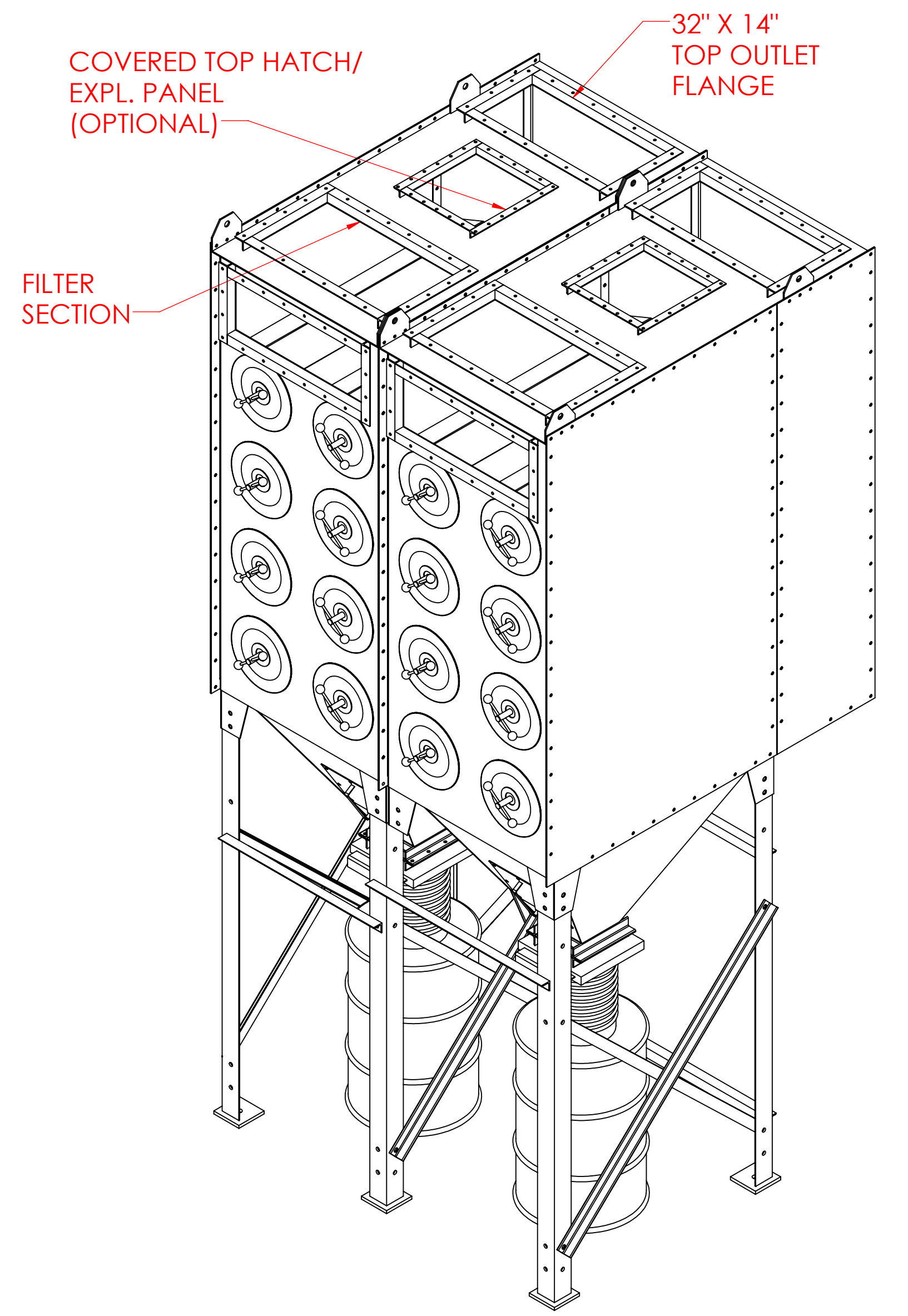
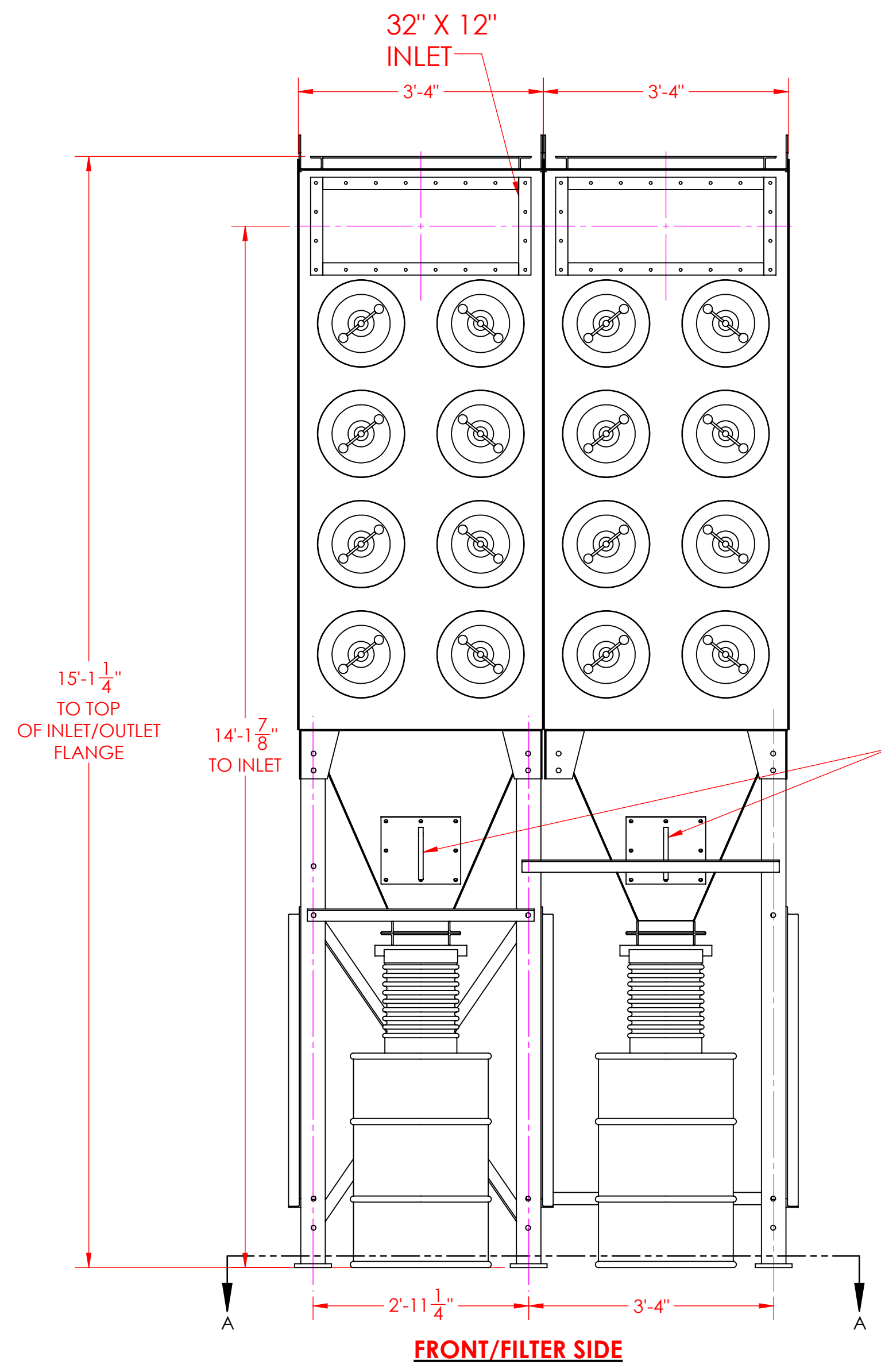
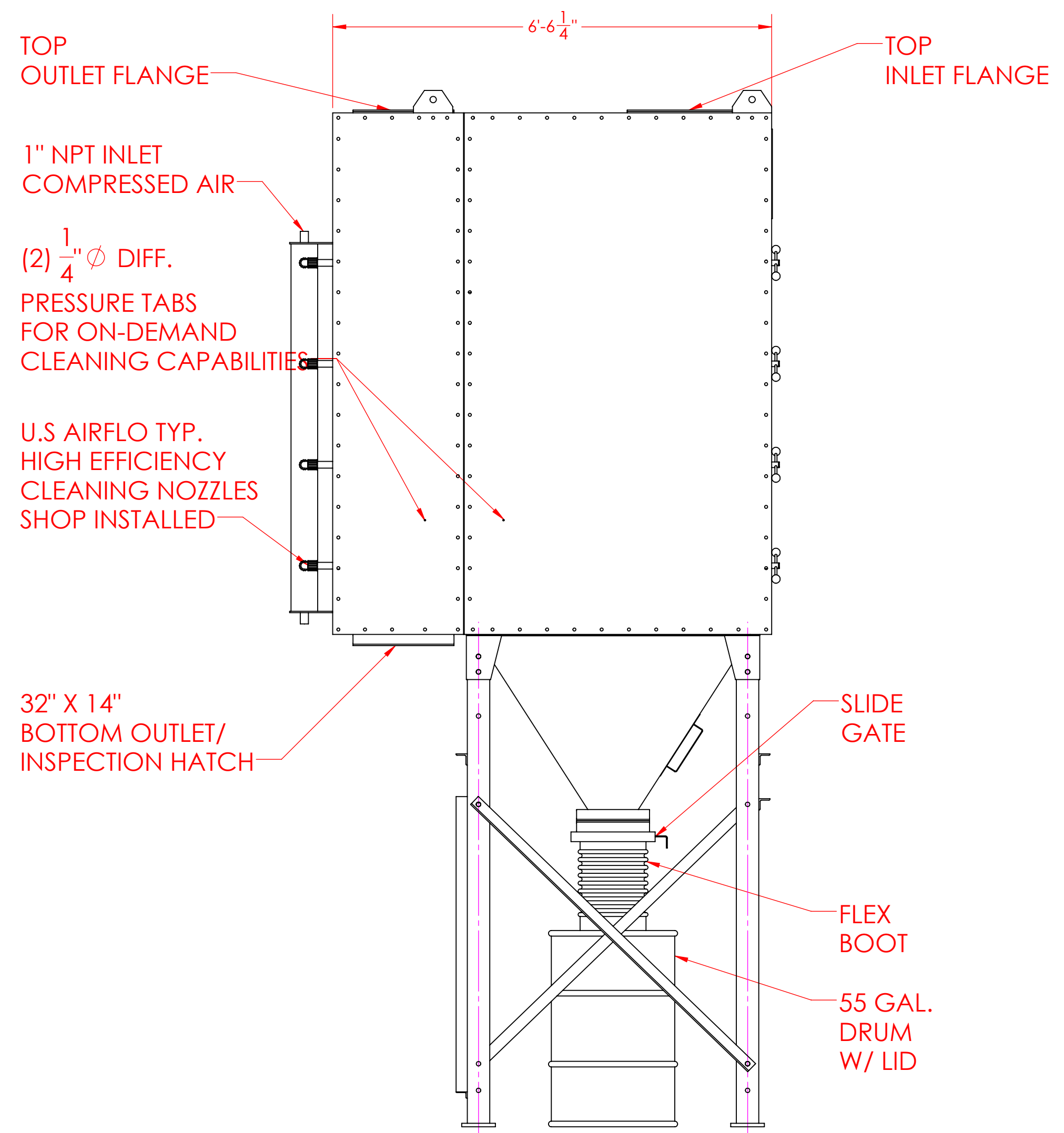


IF IN DOUBT ASK



U.S AIR CLEANFLO - MODEL 4DCP-32	
# OF FILTERS:	32
FILTER DIMENSIONS:	13.8" Ø X 26" L
FILTER AREA:	3,840 S.F OR 8,128 S.F
FILTER MEDIA:	SPUN BOND POLY. (120 S.F) OR NANOFIBER (254 S.F EA)
# OF PULSE VALVES:	8
COMPRESSED AIR REQUIREMENTS:	90-100 PSIG
AIR CONSUMPTION: (10 SECOND PULSE INTERVALS)	80 SCFM (APPROX...)
DESIGN PRESSURE RATING:	-20" W.G.
STANDARD COLOR:	BLUE
SHIPPING WEIGHT: 12GA. /10 GA.	4,200 LBS/ 5,140 LBS

APPROVAL OF GENERAL DIMENSIONS / CLEARANCES / CENTERLINES ONLY INCLUDING WALL OPENING PENETRATIONS / LOCATIONS & GENERAL DRAWING NOTES

SIGNATURE: \_\_\_\_\_ DATE: \_\_\_\_\_

TITLE: \_\_\_\_\_

CUSTOMER SHALL RETURN ONE COPY APPROVED

THIS DRAWING AND THE DESIGNS DEPICTED THEREIN ARE THE PROPERTY OF U.S. AIR FILTRATION INC., OF MURRIETA, CALIFORNIA, AND ARE COVERED BY ISSUED AND/OR PENDING U.S. AND FOREIGN PATENTS. THIS MATERIAL IS TO BE PROVIDED TO YOU SUBJECT TO THE CONDITION THAT IT SHALL NOT BE REPRODUCED, COPIED, DISCLOSED TO OTHER VENDORS OR MANUFACTURERS OF SIMILAR ARTICLES, LENT OR OTHERWISE DISPOSED OF, DIRECTLY OR INDIRECTLY. IT SHALL NOT BE USED TO FURNISH ANY INFORMATION FOR THE MAKING OF DRAWINGS, PRINTS OR APPARATUS, OR PARTS THEREOF, EXCEPT WHERE OTHERWISE SPECIFICALLY PROVIDED FOR BY CONTRACT WITH U.S. AIR FILTRATION.

APPROVED BY: \_\_\_\_\_ DATE: 2/19/2023

CHECKED BY: \_\_\_\_\_ DATE: 2/19/2023

DESIGNED BY: TB DATE: 2/19/2023

**U.S. Air Filtration, Inc.**

SCALE: 1:18

DATE: 1/27/2022

DUST COLLECTION SPECIALIST

DRAWN BY: TB

DESCRIPTION: CARTRIDGE COLLECTOR GENERAL LAYOUT

CUSTOMER: \_\_\_\_\_ DRAWING NUMBER: 4DCP-32-GA1 REV: R2