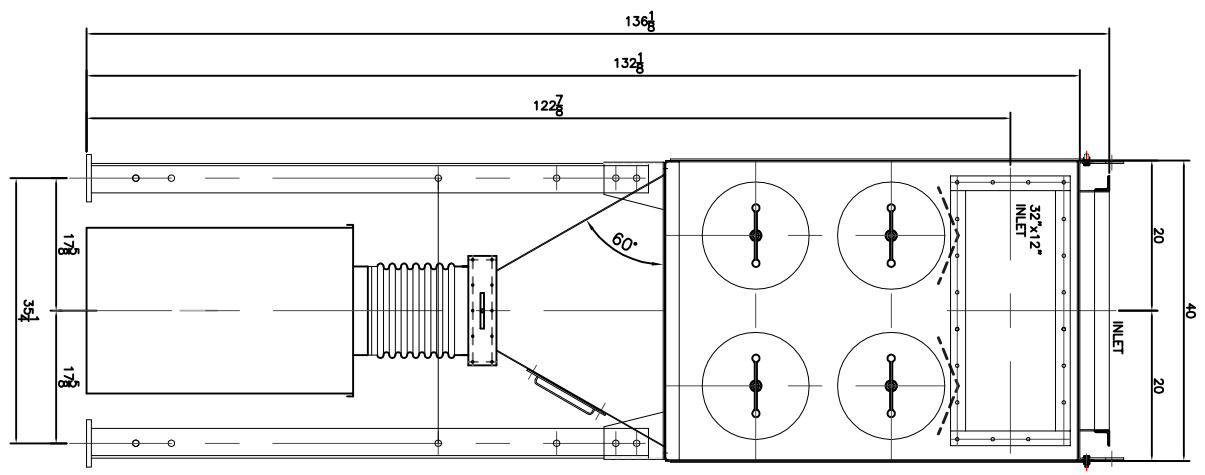


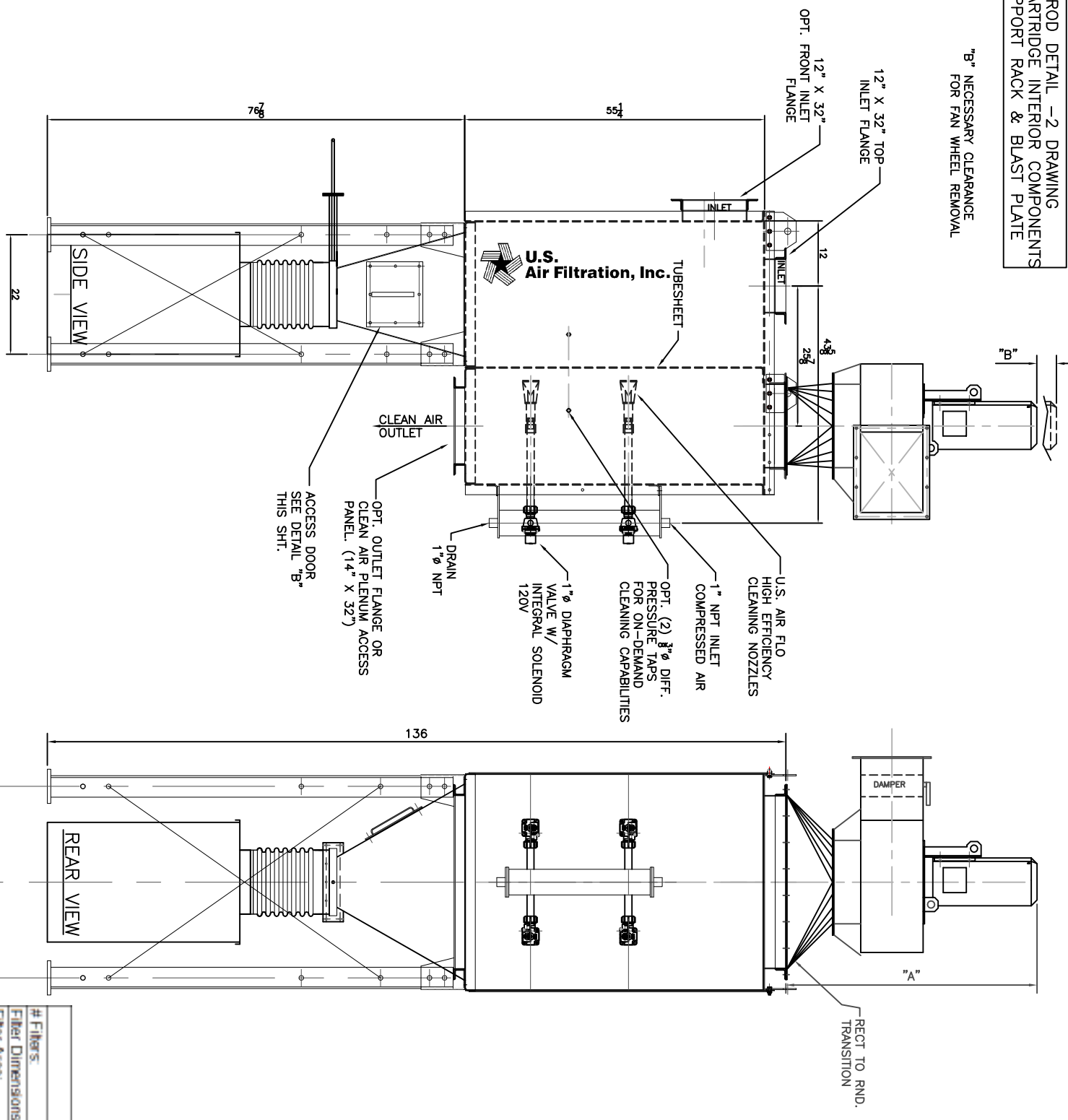
FAN SIZES	"A"	"B"
SIZE 3	1,200 CFM @ 9.5" wg.	39½"
SIZE 5	2,000 CFM @ 10" wg.	40¾"
SIZE 7.5	3,000 CFM @ 10" wg.	45¾"

SEE DRAWING CRT-ROD DETAIL -2 DRAWING FOR DETAILS ON CARTRIDGE INTERIOR COMPONENTS AND CARTRIDGE SUPPORT RACK & BLAST PLATE

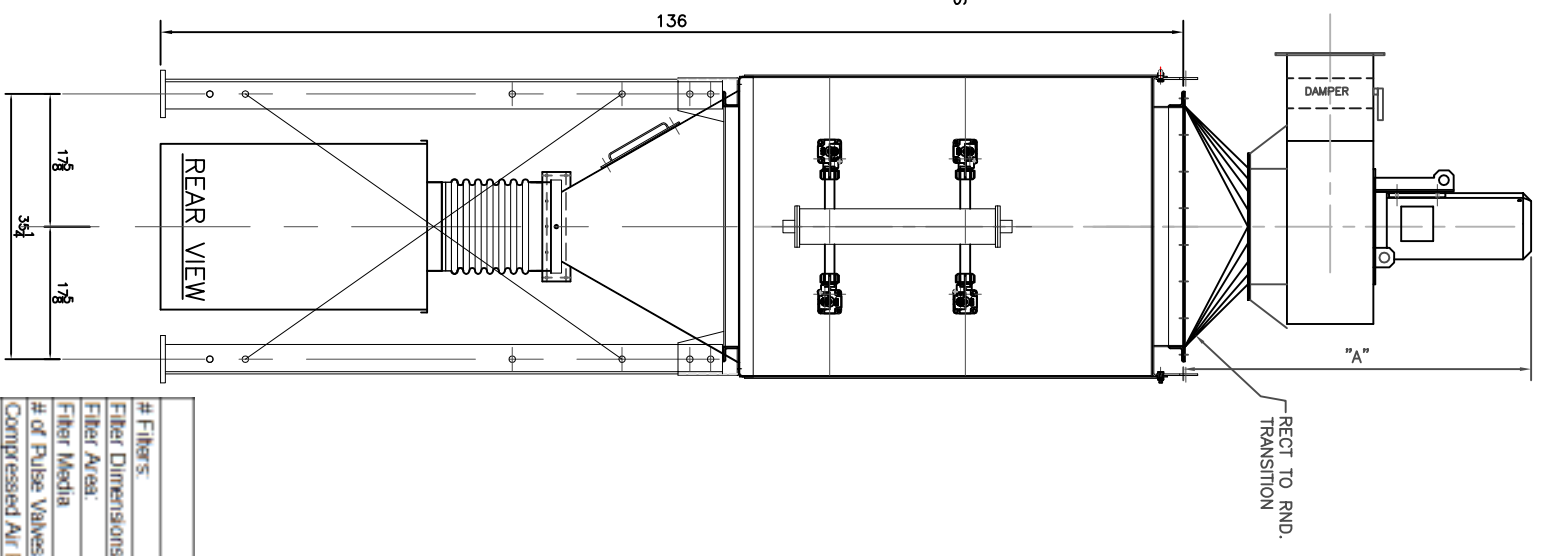
"B" NECESSARY CLEARANCE FOR FAN WHEEL REMOVAL



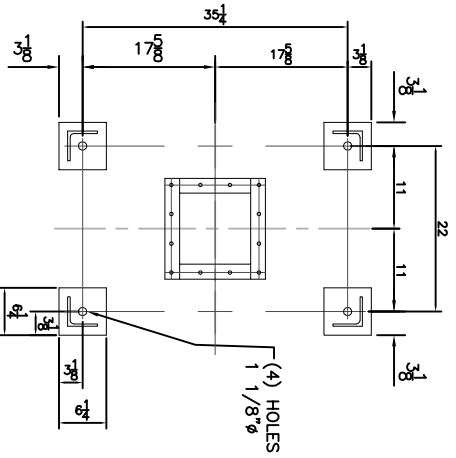
FRONT VIEW



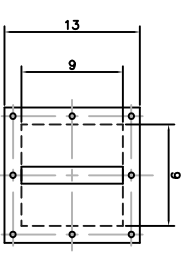
SIDE VIEW



REAR VIEW



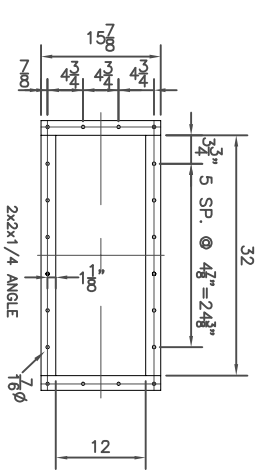
ANCHOR BOLT DETAIL



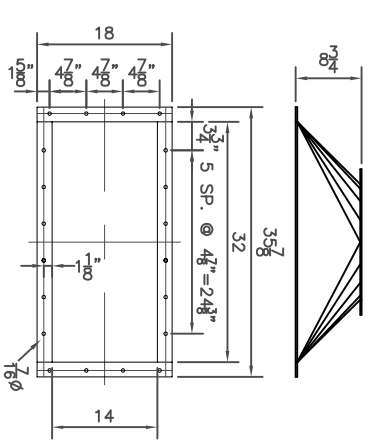
DETAIL "B"  
ACCESS DOOR

ALL FLG. OPENINGS MUST BE COVERED WITH A BOLT DOWN 10 GA. PL.

IF IN DOUBT ASK



INLET FLANGE DETAIL (TOP & FRONT)



OUTLET RECT. TO RND. TRANSITION

U.S. AirFlo Model 2DCP4	
# Filters	4
Filter Dimensions:	13.8"Ø x 28" L
Filter Area:	1 016 S.F. / 480 S.F.
Filter Media:	Nanofiber (254 S.F. ea.) / S.B. Polyester (120 S.F. ea.)
# of Pulse Valves	4
Compressed Air Requirements	90-100 PSIG
Air Consumption:	9 SCFM (approx)
(10 sec. pulse intervals)	-20" w.g.
Design Pressure Rating	Blueprint #5V4056
Standard Color	1585 Lbs / 1900 Lbs
Shipping Weight	12 GA. / 10 GA.

DIMENSION: INCHES

This drawing and the design depicted therein are the property of U.S. Air Filtration Inc. or Temecula, California, and are covered by issued and / or pending U.S. and foreign patents. This material is provided to you, subject to the condition that it shall not be reproduced, copied, disseminated to other vendors or manufacturers or used in any way without the express written consent of U.S. Air Filtration Inc. U.S. Air Filtration Inc. will not be held responsible for the making of drawings, prints or approvals, or parts therefrom, except where otherwise specifically provided for by contract with U.S. Air Filtration Inc.



DIMENSIONS ARE NOT CERTIFIED

REVISION	REVISIONS	DATE	BY	DESIGNED BY	DATE

APPROVED BY	DATE	CORPORATE OFFICE	SCALE	DRAWN BY
		42065 Zero Drive Temecula, CA 92591 (951) 491-7282 FAX (951) 491-7281	N.T.S.	

CHECKED BY	DATE	U.S. AirFlo Model 2DCP4-26-13.8	DATE	DUST COLLECTION SPECIALIST
		PULSE-JET CARTRIDGE D.C. GENERAL LAYOUT	6/17/14	