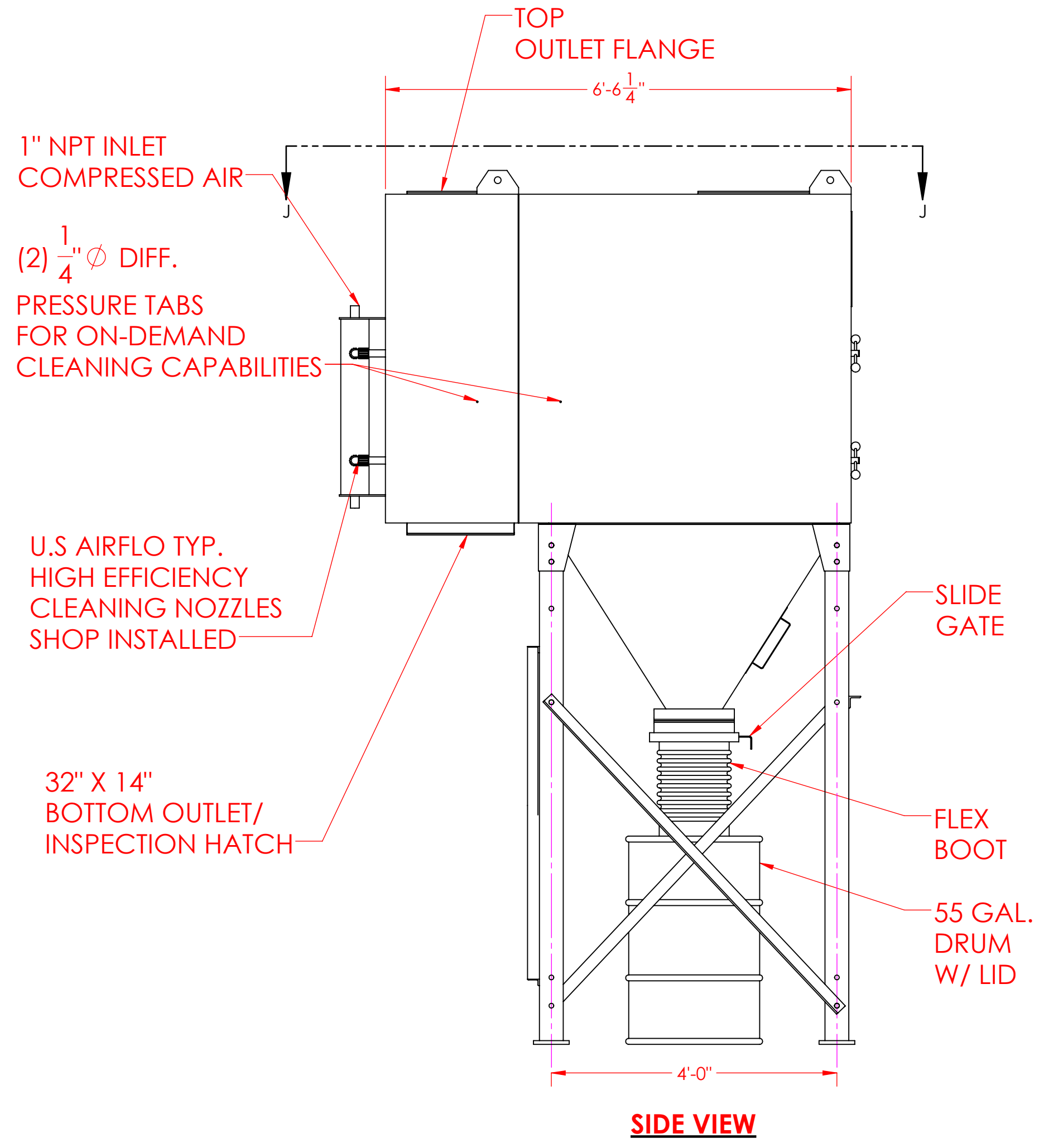
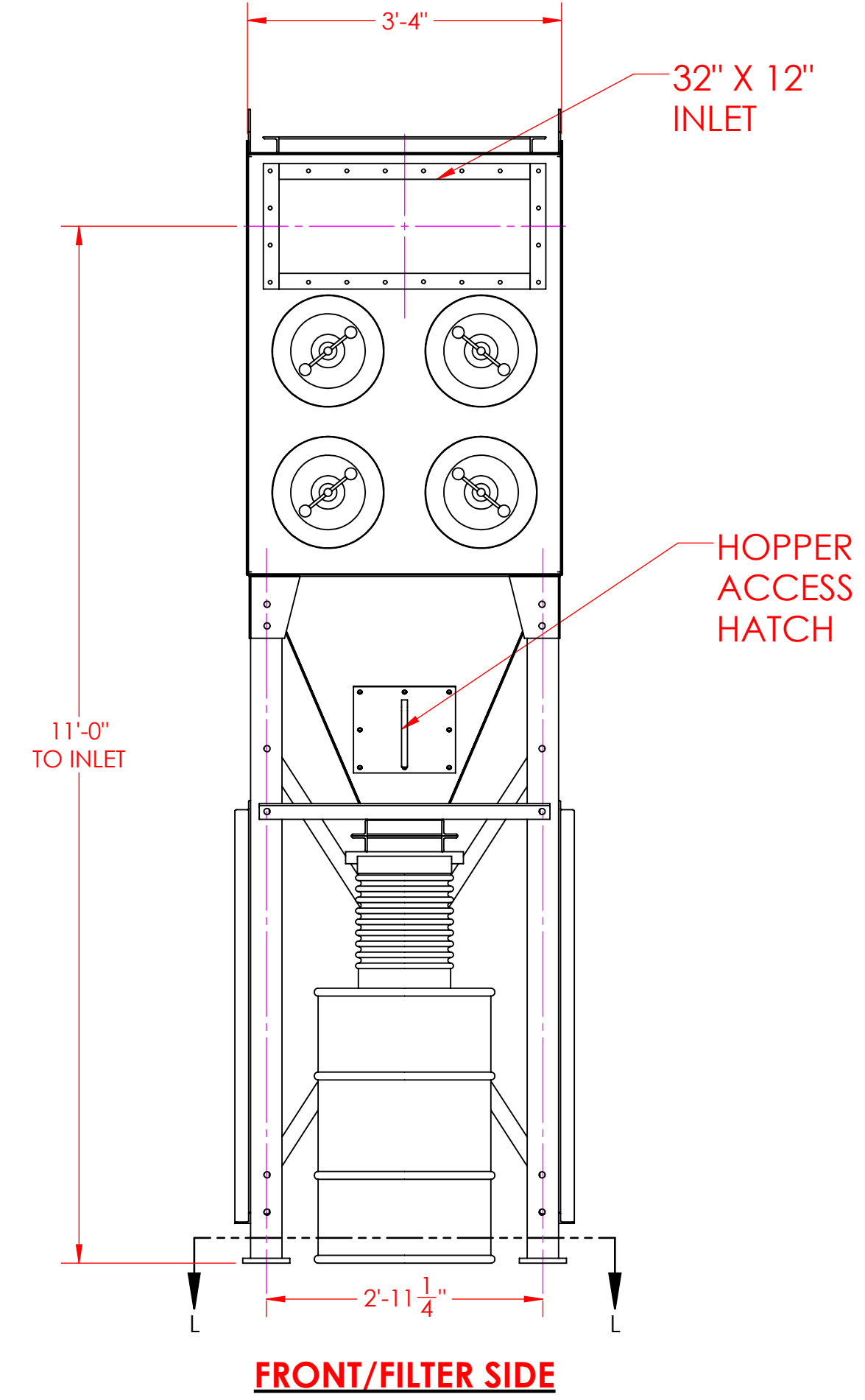


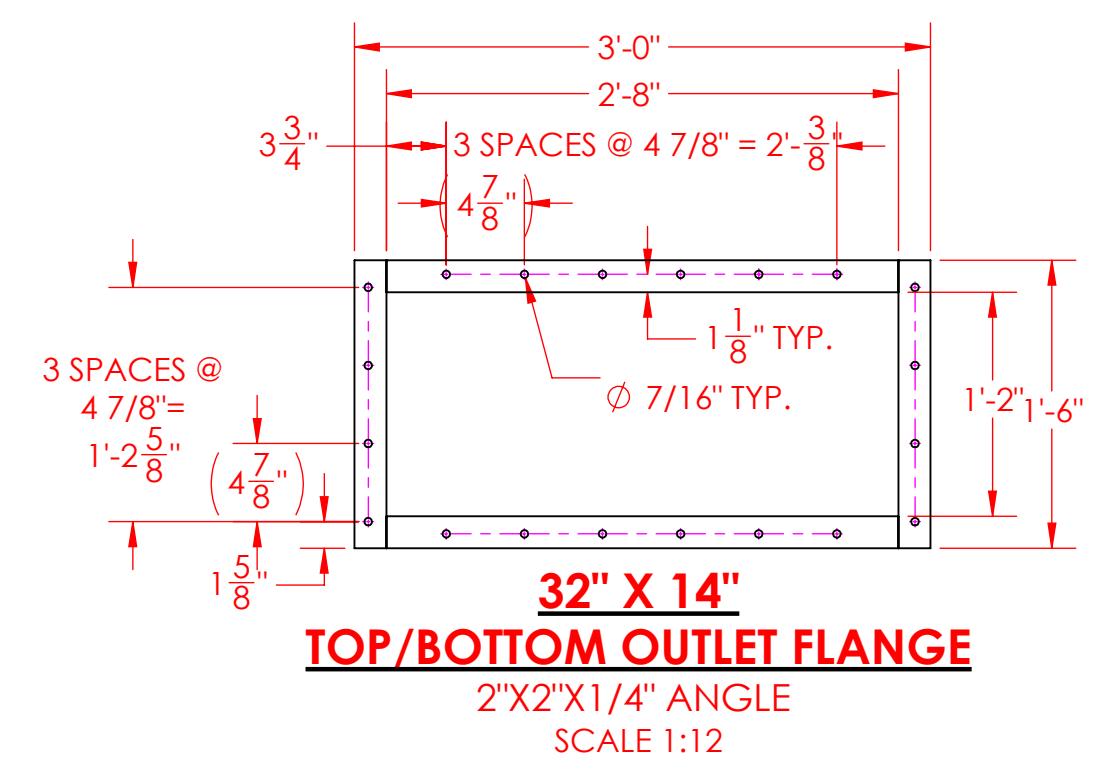
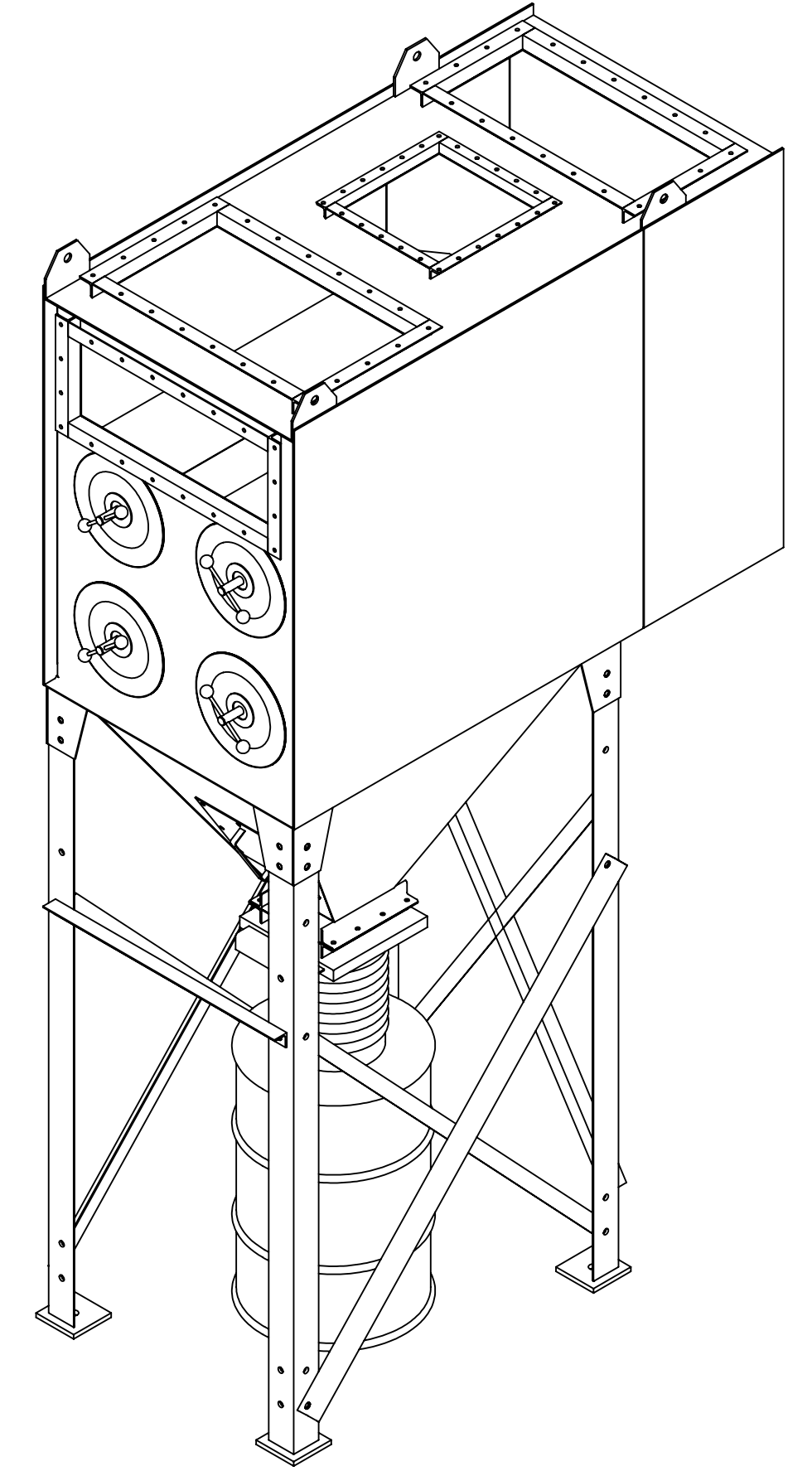
**PULSE VALVE SIDE**



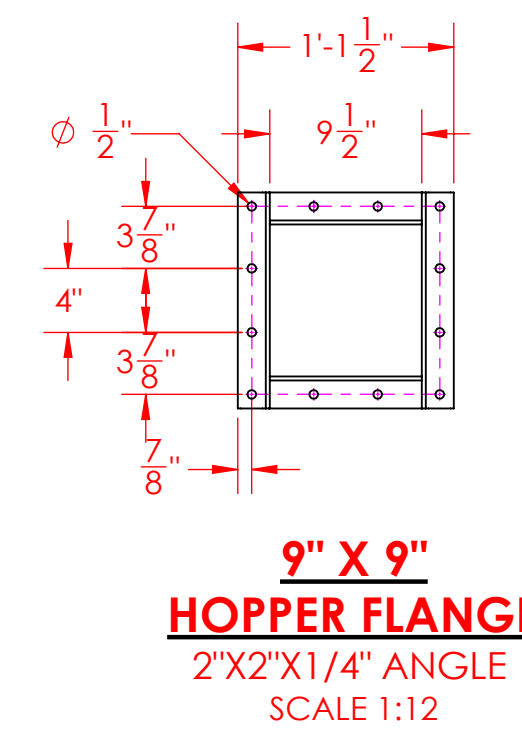
**SIDE VIEW**



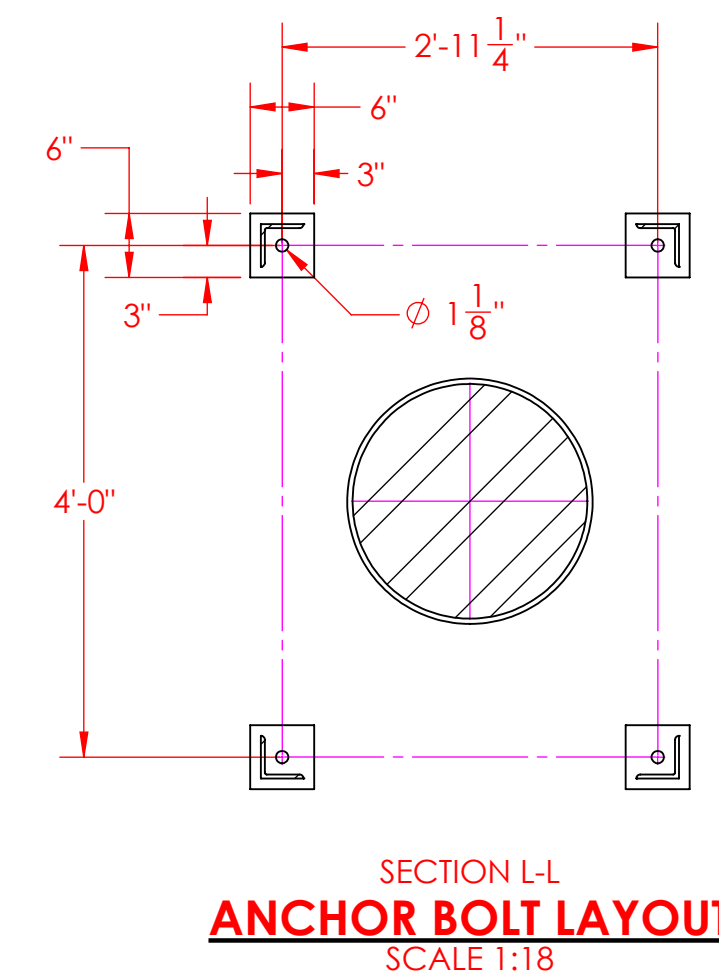
**FRONT/FILTER SIDE**



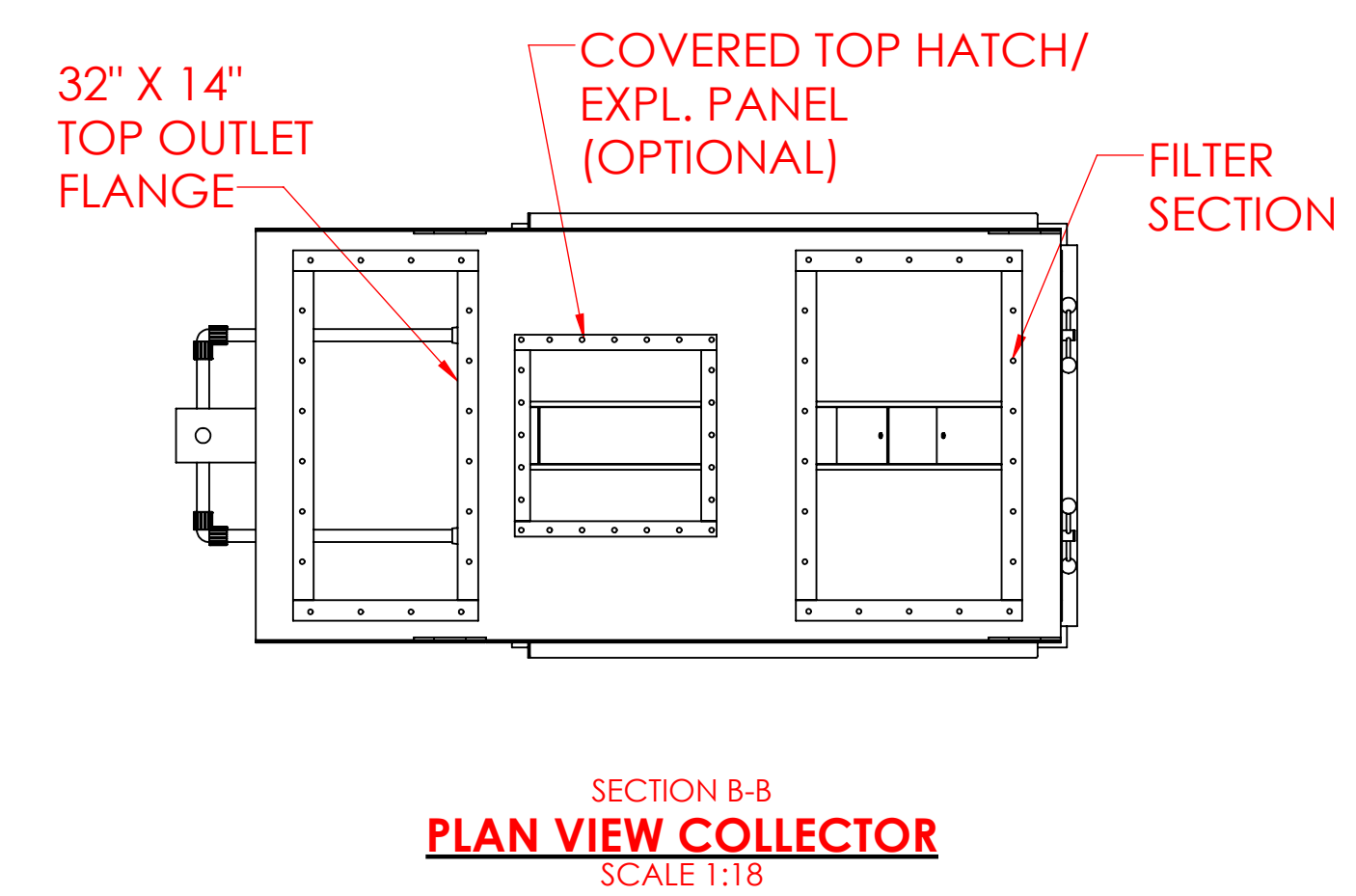
**32" X 14" TOP/BOTTOM OUTLET FLANGE**  
2"X2"X1/4" ANGLE  
SCALE 1:12



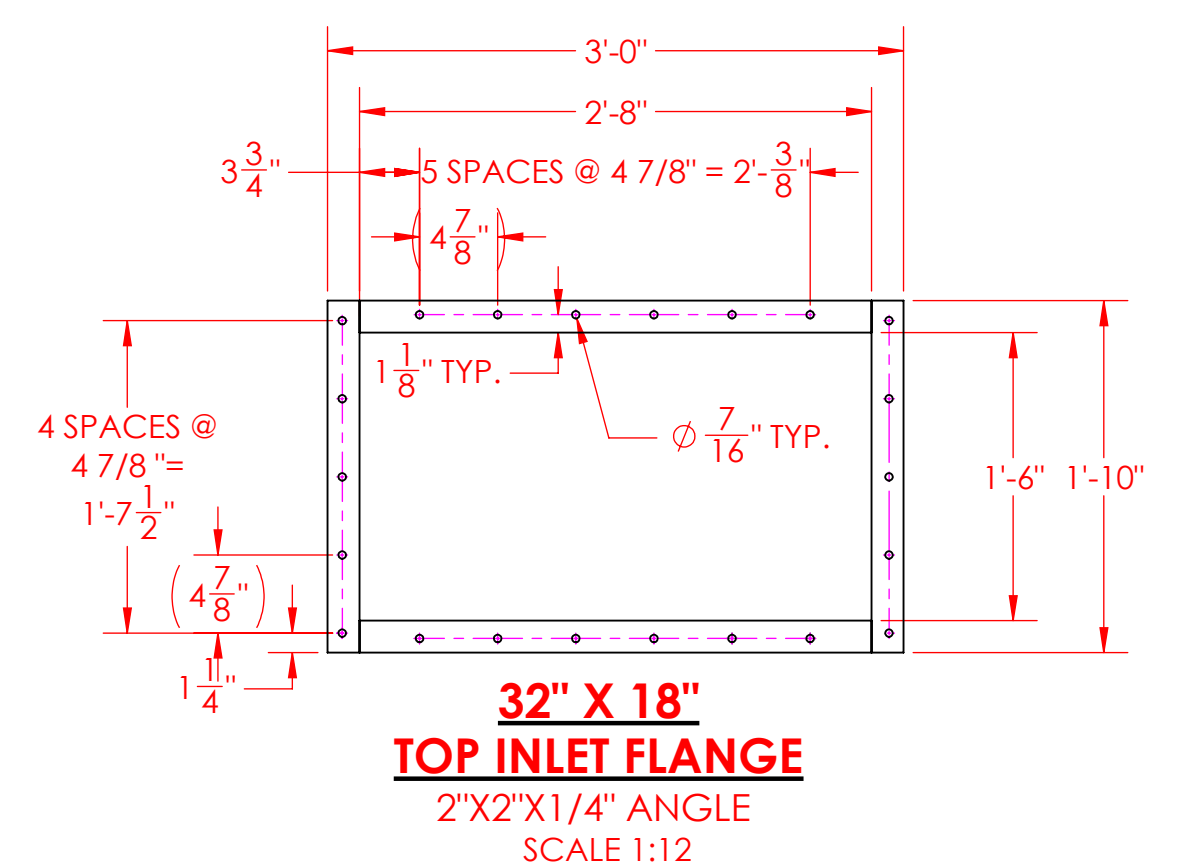
**9" X 9" HOPPER FLANGE**  
2"X2"X1/4" ANGLE  
SCALE 1:12



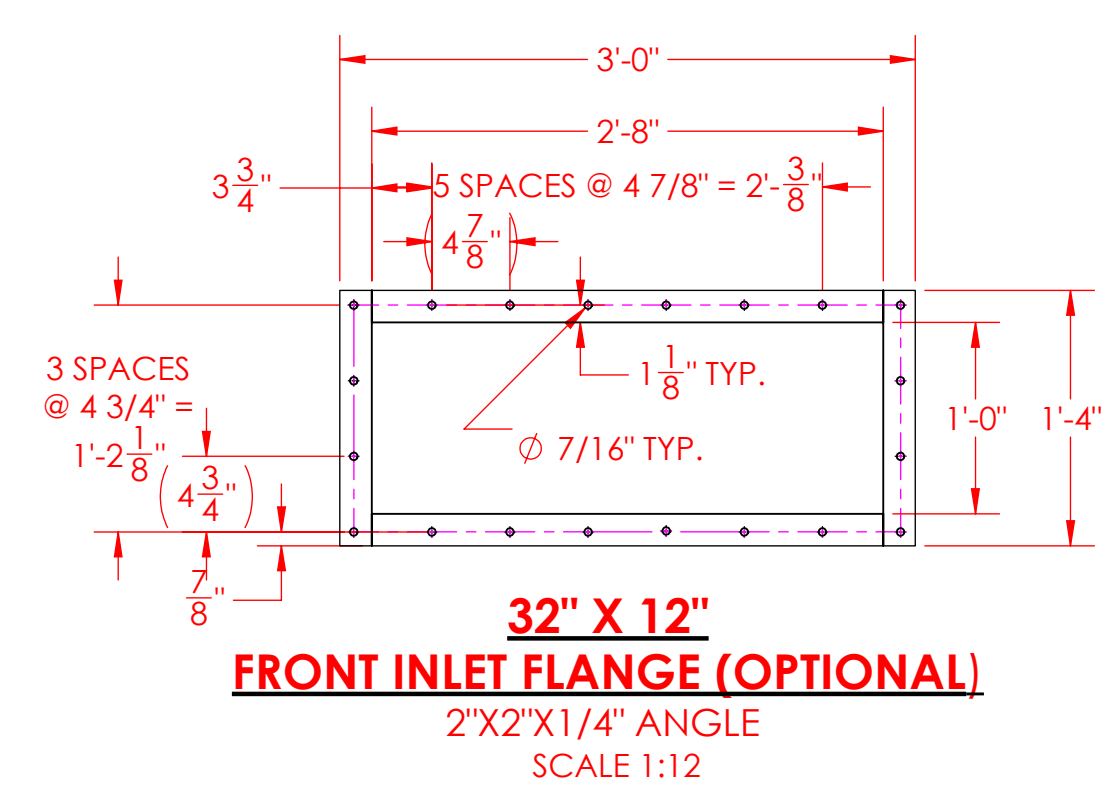
**SECTION L-L ANCHOR BOLT LAYOUT**  
SCALE 1:18



**SECTION B-B PLAN VIEW COLLECTOR**  
SCALE 1:18



**32" X 18" TOP INLET FLANGE**  
2"X2"X1/4" ANGLE  
SCALE 1:12



**32" X 12" FRONT INLET FLANGE (OPTIONAL)**  
2"X2"X1/4" ANGLE  
SCALE 1:12

U.S AIR CLEANFLO - MODEL 4DCP-16	
# OF FILTERS:	16
FILTER DIMENSIONS:	13.8" Ø X 26" L
FILTER AREA:	960 S.F OR 2,032 S.F
FILTER MEDIA:	SPUN BOND POLY. (120 S.F) OR NANOFIBER (254 S.F EA)
# OF PULSE VALVES:	8
COMPRESSED AIR REQUIREMENTS:	90-100 PSIG
AIR CONSUMPTION: (10 SECOND PULSE INTERVALS)	9 SCFM (APPROX...)
DESIGN PRESSURE RATING:	-20" W.G.
STANDARD COLOR:	BLUE
SHIPPING WEIGHT: 12GA. /10 GA.	1,585 LBS/ 1,930 LBS

APPROVAL OF GENERAL DIMENSIONS / CLEARANCES / CENTERLINES ONLY INCLUDING WALL OPENING PENETRATIONS / LOCATIONS & GENERAL DRAWING NOTES

SIGNATURE: \_\_\_\_\_ DATE: \_\_\_\_\_  
TITLE: \_\_\_\_\_  
CUSTOMER SHALL RETURN ONE COPY APPROVED

THIS DRAWING AND THE DESIGNS DEPICTED THEREIN ARE THE PROPERTY OF U.S. AIR FILTRATION INC., OF MURRIETA, CALIFORNIA, AND ARE COVERED BY ISSUED AND/OR PENDING U.S. AND FOREIGN PATENTS. THIS MATERIAL IS TO BE PROVIDED TO YOU SUBJECT TO THE CONDITION THAT IT SHALL NOT BE REPRODUCED, COPIED, DISCLOSED TO OTHER VENDORS OR MANUFACTURERS OF SIMILAR ARTICLES, LEFT OR OTHERWISE DISPOSED OF, DIRECTLY OR INDIRECTLY. IT SHALL NOT BE USED TO FURNISH ANY INFORMATION FOR THE MAKING OF DRAWINGS, PRINTS OR APPARATUS, OR PARTS THEREOF, EXCEPT WHERE OTHERWISE SPECIFICALLY PROVIDED FOR BY CONTRACT WITH U.S. AIR FILTRATION.

APPROVED BY: \_\_\_\_\_ DATE: 2/22/2023  
CHECKED BY: \_\_\_\_\_ DATE: 2/22/2023  
DESIGNED BY: TB DATE: 2/22/2023

SCALE: 1:18  
DATE: 1/27/2022  
DUST COLLECTION SPECIALIST  
DRAWN BY: TB  
CORPORATE OFFICE  
10278 COUNTY ROAD  
TYLER, TX 75707  
(951) 491 - 7282  
FAX (951) 491 - 7281  
DESCRIPTION  
CARTRIDGE COLLECTOR GENERAL LAYOUT  
CUSTOMER: \_\_\_\_\_ DRAWING NUMBER: 2DCP-8-GA REV: R3