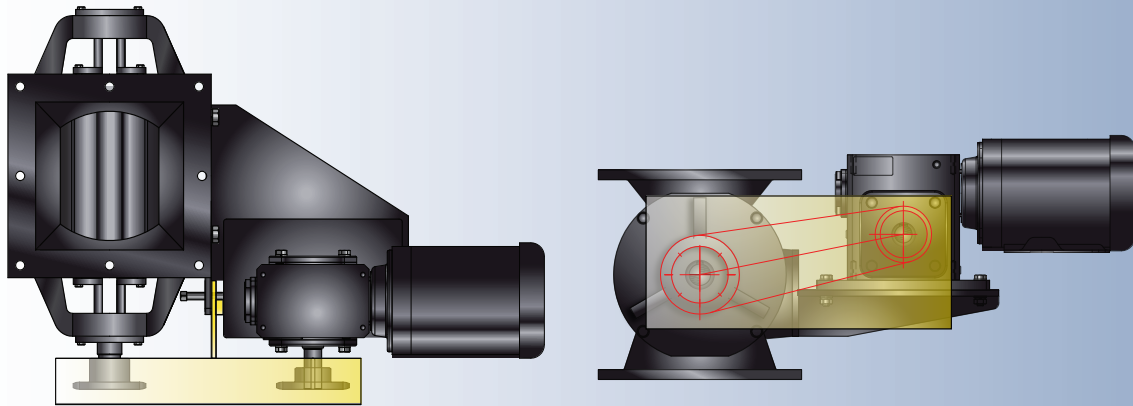




U.S. Air Filtration, Inc.



Rotary Airlock Features:

- Pressure differentials to 12 psig
- Outboard Bearings (permanently sealed and lubricated)
- Replaceable packing rings
- Available in three sizes
- Square Flanges
- Heavy shaft diameters minimizing rotor deflection
- Precision machining of components
- Standard rotor design comes complete with beveled tip and sides
- Square inlet and outlet flanges in small and larger sizes available

Options:

- 6-vane or 8-vane rotor available
- Shaft seals or packing gland style shaft seals available
- Rotor options: closed end rotor, shallow pocket design, adjustable rotor tips
- Rotor adjustable rotor tips available in EPDM, polyurethane, stainless steel and hardened steel
- Hard chrome interior

Specifications:

Pressure Rating: 12 PSI

Maximum Operating Temperature: 400°F

Materials: Dry Free-Flowing Semi-Abrasive
HD design

Typical Applications:

Pneumatic Conveying

Blending

Dust Collection

Drying

Pollution Control

Weighing

Mixing

Feeding

Relevant Industries:

Wood

Grain

Food

Textile

Paper

Metalworking

Rubber

Paint

*These are just some of the industries that use Rotary Airlock Valves.

There are many applications that are not listed.

Clearing the Air for a Cleaner Environment