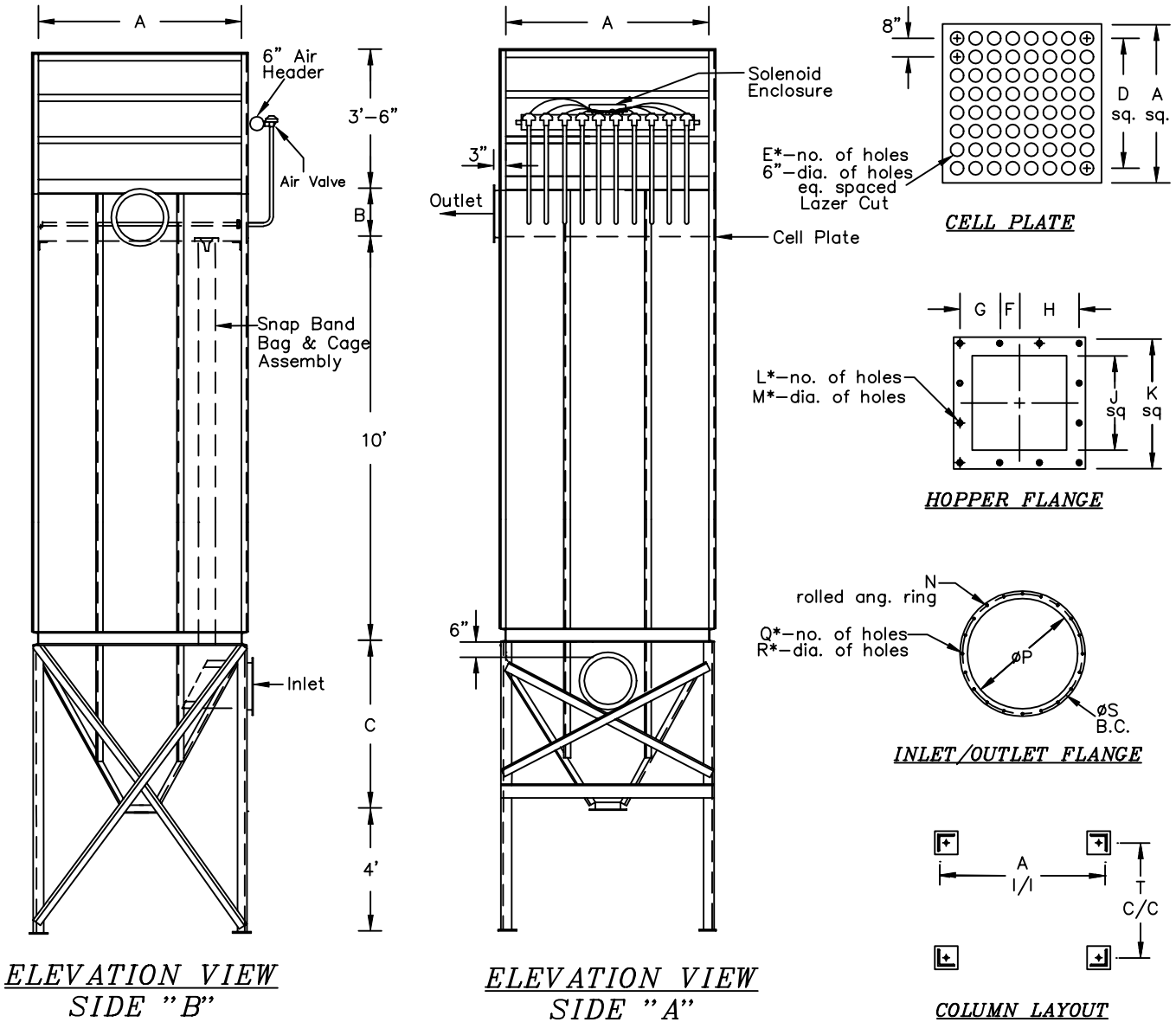




# U. S. Air Filtration, Inc.

*Clearing the Air for a Cleaner Environment*



## Pulse Jet High Header Dust Collector

NOTE: ALL DIMENSIONS ARE LISTED AS DECIMAL INCHES

6" x 10' Bag

Top Access

MODEL	BAG AREA	A	B	C	D	E	F	G	H	J	K	L	M	N	P	Q	R	S	T
55-PTHH-120-6	393	44	12	32	44	25	3	-	4.88	8	11	8	.44	1.5 x 1.5 x .1275	12	8	.44	14	40
66-PTHH-120-6	565	52	14	38	52	36	3	-	4.88	8	11	8	.44	1.5 x 1.5 x .1275	14	8	.44	16	48
77-PTHH-120-6	769	60	14	45	60	49	2.5	-	4.88	8	11	8	.44	1.5 x 1.5 x .1275	14	8	.44	16	56
88-PTHH-120-6	1005	68	16	52	68	64	2.5	-	4.88	8	11	8	.44	1.5 x 1.5 x .1275	16	8	.44	18	64
99-PTHH-120-6	1272	76	18	60	76	81	2.5	-	4.88	8	11	8	.44	1.5 x 1.5 x .1875	18	8	.44	20	72
1010-PTHH-120-6	1570	84	20	64	84	100	2	4	6	9.5	13	12	.56	1.5 x 1.5 x .1875	20	8	.44	21.75	80
1111-PTHH-120-6	1900	92	22	72	92	121	2	4	6	9.5	13	12	.56	1.5 x 1.5 x .1875	22	12	.44	23.75	88
1212-PTHH-120-6	2261	100	24	78	100	144	2	4	6	9.5	13	12	.56	1.5 x 1.5 x .1875	24	12	.44	25.88	96
1313-PTHH-120-6	2653	108	24	84	108	169	2	4	6	9.5	13	12	.56	1.5 x 1.5 x .1875	24	12	.44	25.88	104
1414-PTHH-120-6	3077	116	26	92	116	196	2	4	6	9.5	13	12	.56	2 x 2 x .1875	26	16	.44	28.38	112
1515-PTHH-120-6	3533	124	26	96	124	225	2.4	4.88	7.18	11.25	16	12	.56	2 x 2 x .1875	28	16	.44	30.38	120