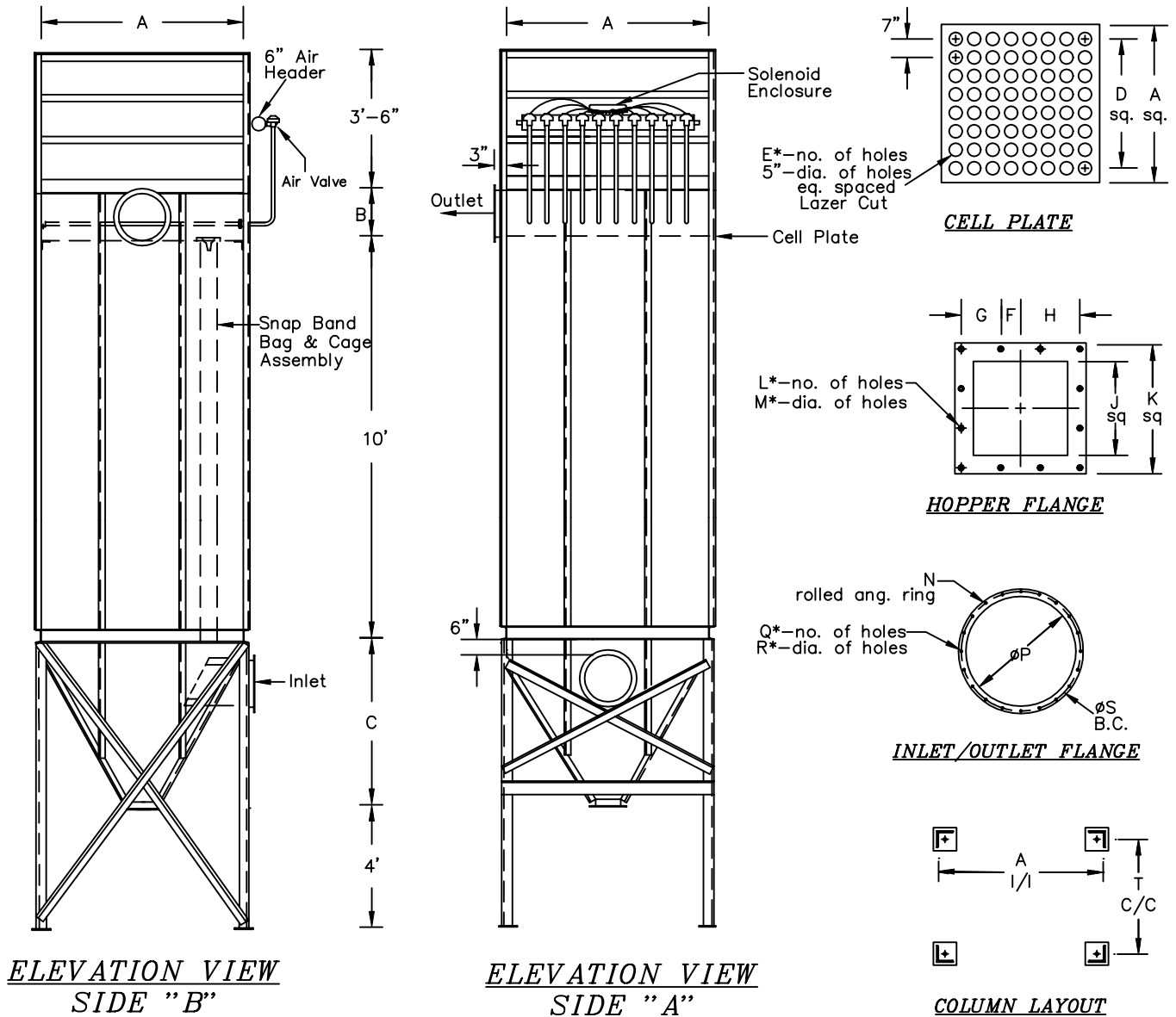




U. S. Air Filtration, Inc.

Clearing the Air for a Cleaner Environment



Pulse Jet High Header Dust Collector

NOTE: ALL DIMENSIONS ARE LISTED AS DECIMAL INCHES

5" x 10' Bag

Top Access

MODEL	BAG AREA	A	B	C	D	E	F	G	H	J	K	L	M	N	P	Q	R	S	T
55-PTHH-120-5	327	39	10	27	28	25	3	-	4.88	8	11	8	.44	1.25 x 1.25 x .125	10	6	.38	11.81	35
66-PTHH-120-5	471	46	12	33	35	36	3	-	4.88	8	11	8	.44	1.5 x 1.5 x .1275	12	8	.44	14	42
77-PTHH-120-5	641	53	14	39	42	49	2.5	-	4.88	8	11	8	.44	1.5 x 1.5 x .1275	14	8	.44	16	49
88-PTHH-120-5	837	60	14	45	49	64	2.5	-	4.88	8	11	8	.44	1.5 x 1.5 x .1275	14	8	.44	16	56
99-PTHH-120-5	1059	67	16	52	56	81	2.5	-	4.88	8	11	8	.44	1.5 x 1.5 x .1875	16	8	.44	18	63
1010-PTHH-120-5	1308	74	18	56	63	100	2	4	6	9.5	13	12	.56	1.5 x 1.5 x .1875	18	8	.44	20	70
1111-PTHH-120-5	1583	81	20	62	70	121	2	4	6	9.5	13	12	.56	1.5 x 1.5 x .1875	20	12	.44	21.75	77
1212-PTHH-120-5	1884	88	22	68	77	144	2	4	6	9.5	13	12	.56	1.5 x 1.5 x .1875	22	12	.44	23.75	84
1313-PTHH-120-5	2211	95	24	75	84	169	2	4	6	9.5	13	12	.56	1.5 x 1.5 x .1875	24	12	.44	25.88	91
1414-PTHH-120-5	2564	102	24	81	91	196	2	4	6	9.5	13	12	.56	1.5 x 1.5 x .1875	24	12	.44	25.88	98
1515-PTHH-120-5	2943	109	26	85	98	225	2.4	4.88	7.18	11.25	16	12	.56	2 x 2 x .1875	26	16	.44	28.38	105