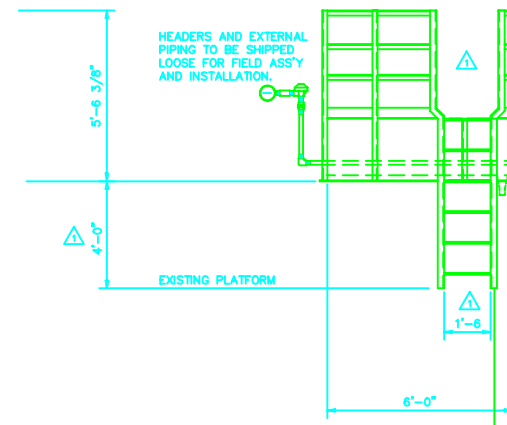
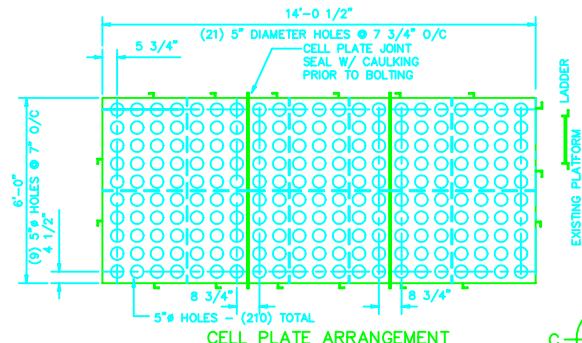
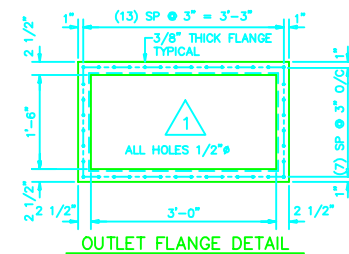


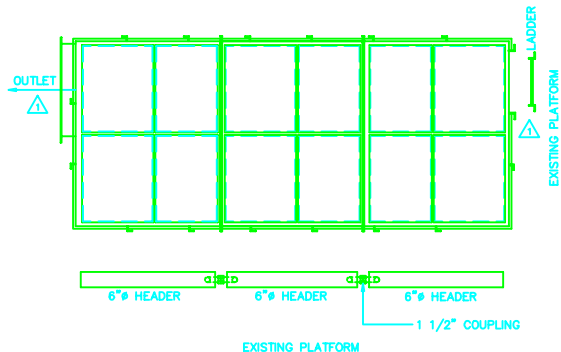
ELEVATION 'C'



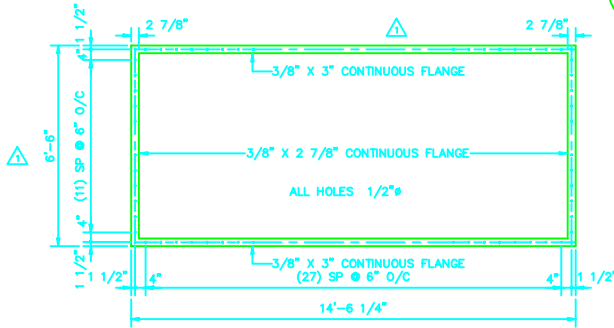
ELEVATION 'A'



CELL PLATE ARRANGEMENT



ROOF PLAN



BOTTOM FLANGE BOLT PATTERN

- NOTES**
- ALL WELDING TO BE OF GOOD WORKMANSHIP WITH NO BURRS OR SHARP EDGES.
  - CELL PLATE, HOPPER, AND HOUSING TO BE WELDED CONTINUOUS TO MAINTAIN A COMPLETE SEAL AND VACUUM.
  - PAINT (ONE) COAT SHOP PRIMER AND (ONE) COAT FINISH GREY. ALL LADDERS, GUARDRAILS & GUARDS SHALL BE PAINTED SAFETY YELLOW. ALL OTHER COMPONENTS SHALL BE PAINTED GREY.
  - 10,000 CFM COLLECTOR
  - 2083 SQ FT OF CLOTH, 4.8 TO 1 RATIO
  - ALL CONTINUOUS BOLTED JOINTS SHALL HAVE CAULKING APPLIED PRIOR TO BOLTING TO MAINTAIN A COMPLETE SEAL AND VACUUM.
  - ALL GUARDRAILS ARE TO BE SHIPPED LOOSE FOR FIELD BOLTED INSTALLATION.

|   |         |                             |          |
|---|---------|-----------------------------|----------|
| NO.   | DATE    | REVISION                    | BY       |
| 1   | 7-15-88 | BOLT PATTERNS, PAINT, MISC. | CJH      |
| SHEET TITLE   |         |                             | SCALE    |
| MODEL 2110-CKPT-96-5 PULSE JET CONVERSION   |         |                             | 1/2"=12" |
| PROJECT   |         |                             | JOB NO.  |
| U.S. NORTHWEST REGION CEMENT PLANT  |         |                             | CJH      |
| DRAWN BY  |         |                             | DATE     |
| CJH   |         |                             | 06-22-98 |
| DRAWING NO.   |         |                             |          |
| U.S. Air Filtration, Inc.   |         |                             | 1        |
| 1235 EAST FRANCIS UNIT G ONTARIO CALIF 91761-5713 (909) 923-0086 FAX (909) 923-2870 |         |                             | OF 1     |