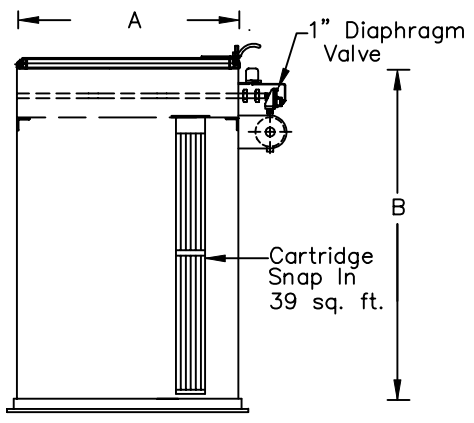


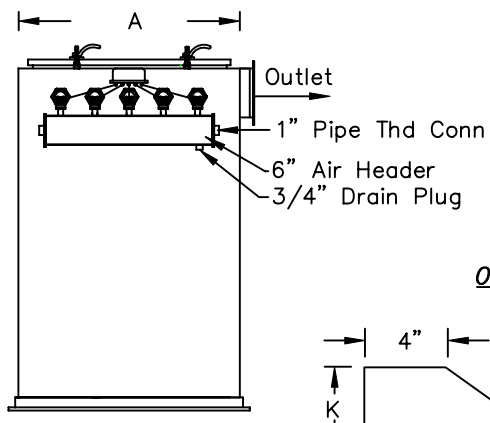


U. S. Air Filtration, Inc.

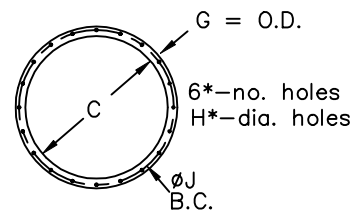
Clearing the Air for a Cleaner Environment



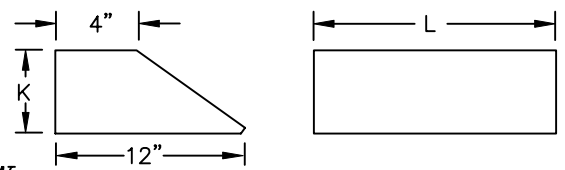
ELEVATION VIEW
SIDE "B"



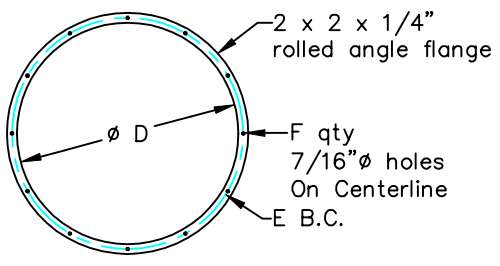
ELEVATION VIEW
SIDE "A"



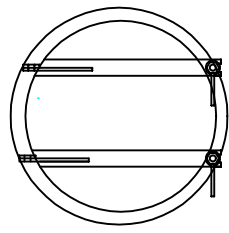
OPTIONAL OUTLET FLANGE



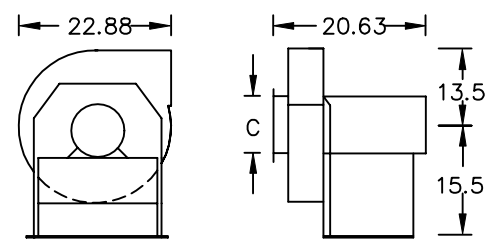
OPTIONAL OUTLET COVER



BASE FLANGE BOLT PATTERN



TOP ACCESS DOOR
HINGED BOLTED QUICK RELEASE
WITH SUPPORTS



OPTIONAL EXHAUST FAN
Maximum dimensions

Twin City JRW ARR 4 CTH

- 807 N 650 cfm @ 8" SPWG 2hp
- 807 F 1000 cfm @ 8" SPWG 3hp
- 808 N 1100 cfm @ 8" SPWG 5hp
- 809 N 1450 cfm @ 8" SPWG 5hp

- 22 - HPBVPT-39-6
- 22 - Rows wide x rows deep
- HP - High Pressure
- BV - Bin Vent
- PT - Pulse Top access
- 39 - 39" long filter
- 6 - 6" diameter

High Pressure Bin Vent Pulse Jet Dust Collector

NOTE: ALL DIMENSIONS ARE LISTED AS DECIMAL INCHES

6" x 39" Cartridge Top Access

MODEL	POLY AREA	# ELEMENTS	A	B	C	D	E	F	G	H	J	K	L
22-HPBVPT-39-6	156	4	24	56	7	24	26.25	20	9.38	.38	8.5	7	16
33-HPBVPT-39-6	351	9	36	56	7	36	38.25	32	9.38	.38	8.5	7	18
44-HPBVPT-39-6	634	16	44	56	8	44	46.25	40	10.38	.38	9.62	7	20
55-HPBVPT-39-6	975	25	52	56	9	52	54.25	48	11.63	.38	10.62	7	22
66-HPBVPT-39-6	1404	36	60	56	9	60	62.25	56	11.63	.38	10.62	7	24