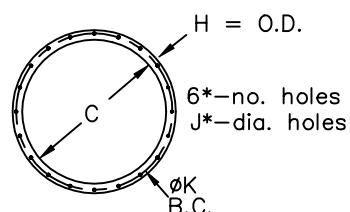
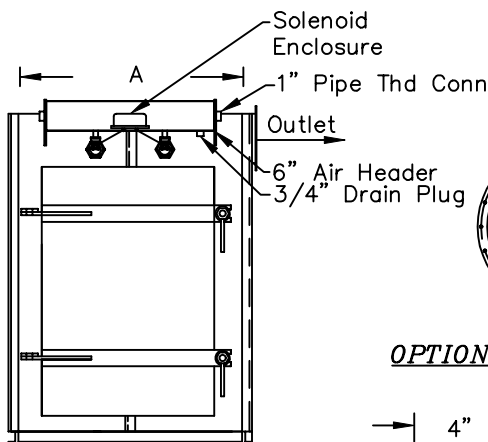
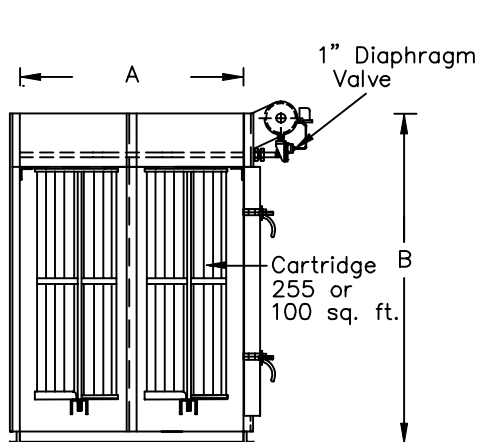


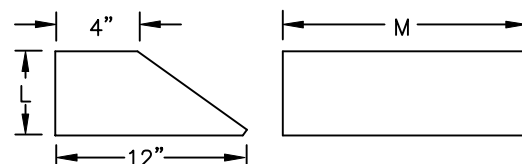


# U. S. Air Filtration, Inc.

*Clearing the Air for a Cleaner Environment*



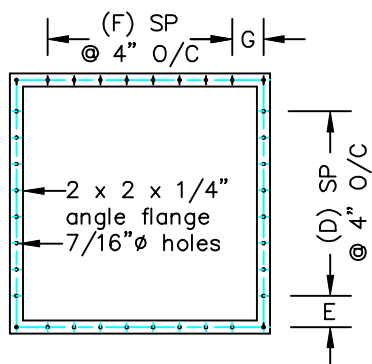
**OPTIONAL OUTLET FLANGE**



**OPTIONAL OUTLET COVER**

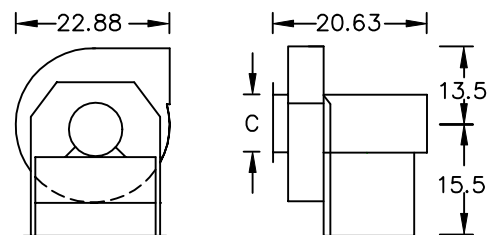
**ELEVATION VIEW  
SIDE "B"**

**ELEVATION VIEW  
SIDE "A"**



**BASE FLANGE BOLT PATTERN**

- 22 - CBVPT-12.75-26
- 22 - Rows wide x rows deep
- C - Cartridge
- BV - Bin Vent
- PT - Pulse side access
- 12.75 - 12.75" filter dia.
- 26 - 26" Filter length



**OPTIONAL EXHAUST FAN**

Maximum dimensions

Twin City JRW ARR 4 CTH

- 807 N 650 cfm @ 8" SPWG 2hp
- 807 F 1000 cfm @ 8" SPWG 3hp
- 808 N 1100 cfm @ 8" SPWG 5hp

## Cartridge Bin Vent Pulse Jet Dust Collector

NOTE: ALL DIMENSIONS ARE LISTED AS DECIMAL INCHES

12.75" x 26" Cartridge

Side Access

MODEL	POLYESTER	CELLULOSE	ELEMENTS	A	B	C	D	E	F	G	H	J	K	L	M
12-CBVPS-26-12.75	200 sq.ft.	510 sq. ft.	2	18	36	7	4	2.12	4	2.12	9.38	.38	8.50	8	20
22-CBVPS-26-12.75	400 sq. ft.	1020 sq. ft.	4	36	36	8	8	3.12	8	3.12	10.38	.38	9.56	9	24